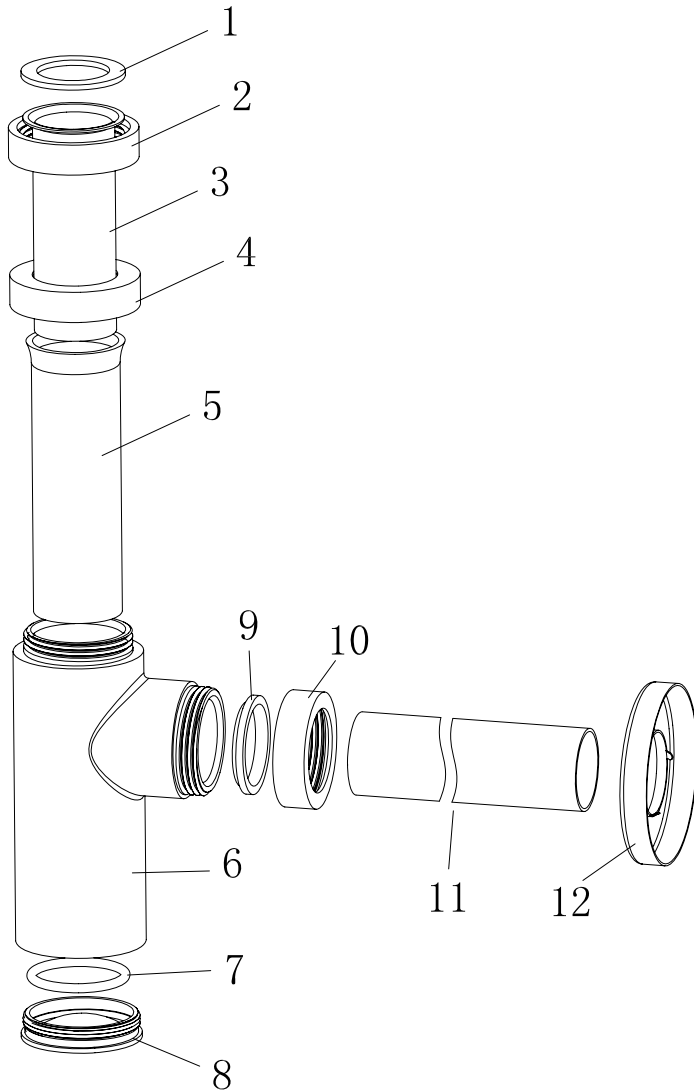
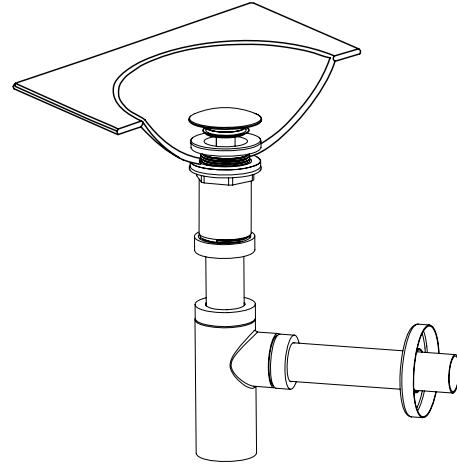
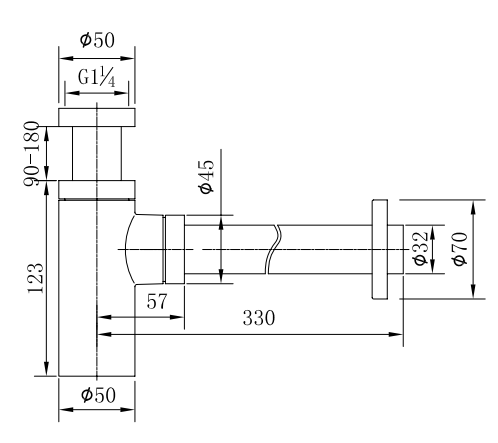




**DANSANI®**



REF	A186	00
1	RUBBER	1
2	INLET NUT	1
3	85MM INLET TUBE	1
4	BODY NUT	1
5	PLASTIC TUBE	1
6	T BODY	1
7	O RING	1
8	BOTTOM	1
9	SEAL	1
10	BODY NUT	1
11	300MM OUTLET TUBE	1
12	COVER	1
NO.	NAME	QTY



5 711112 200695