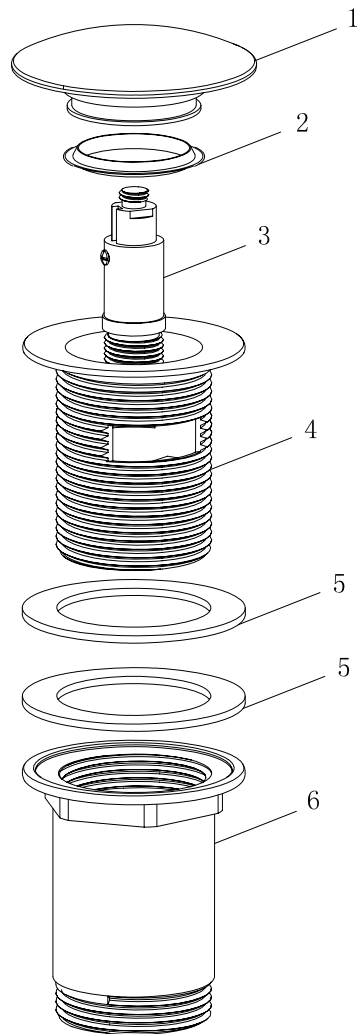
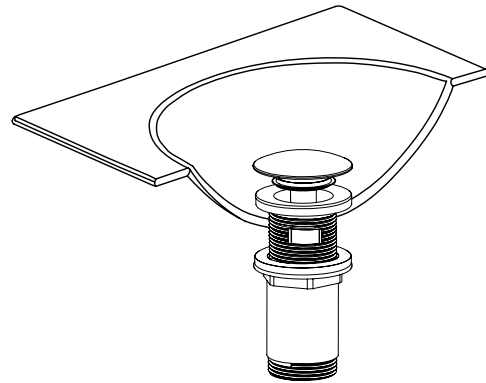
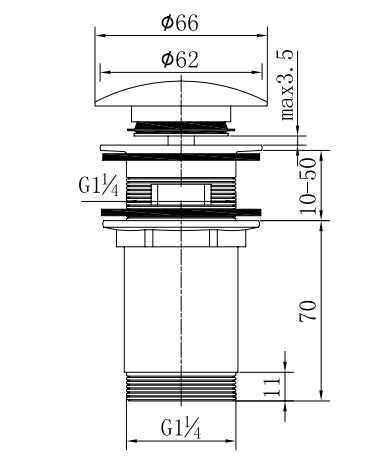




**DANSANI®**



|     |                  |     |
|-----|------------------|-----|
| REF | A706             | 00  |
| 1   | Top              | 1   |
| 2   | Seal             | 1   |
| 3   | Clic-clac Spring | 1   |
| 4   | Waste            | 1   |
| 5   | Rubber           | 2   |
| 6   | Adaptor          | 1   |
| NO. | NAME             | QTY |



5 711112 200725