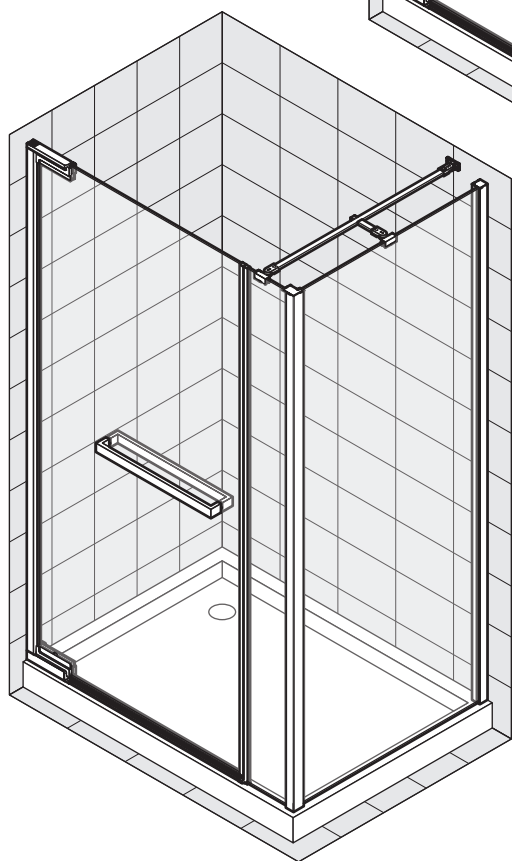
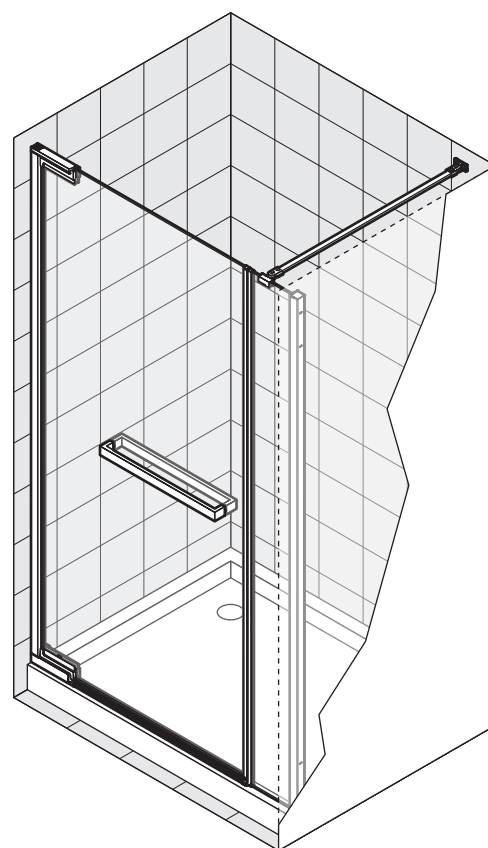
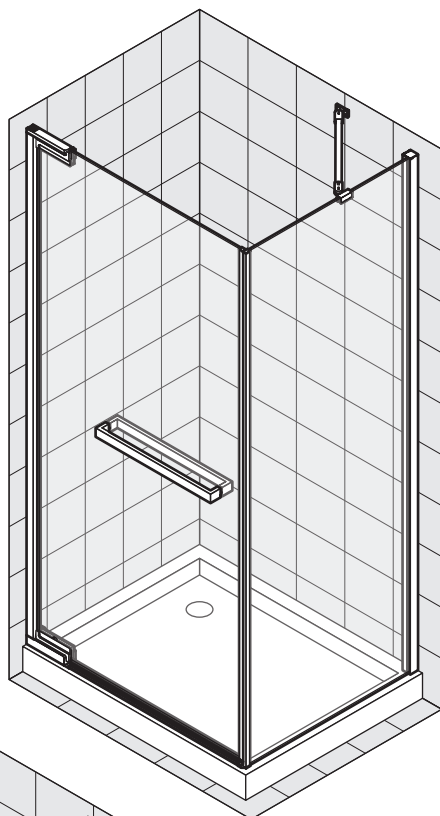


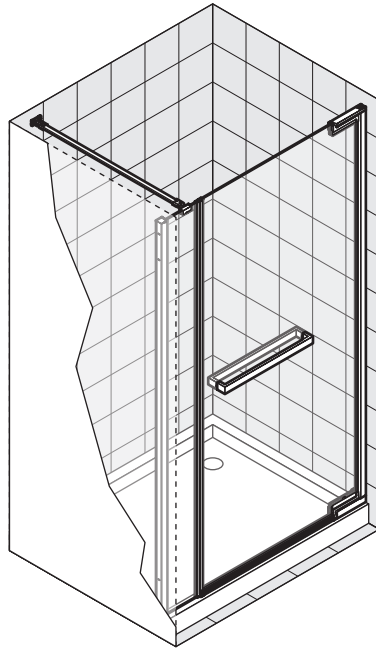
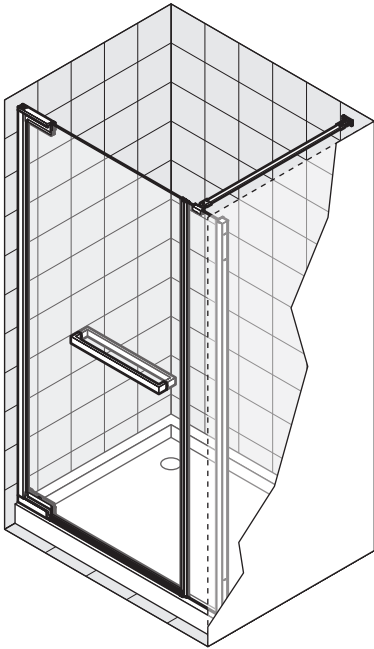
N180

 NOVELLINI

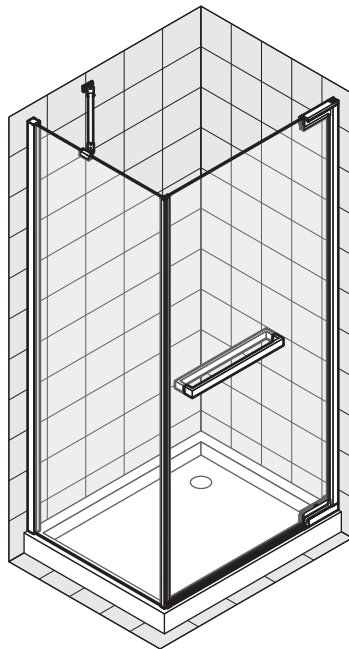
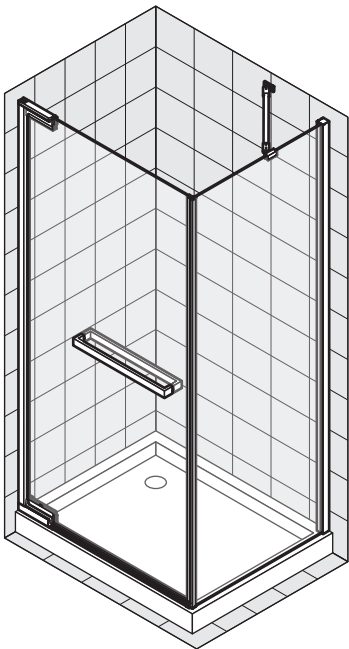
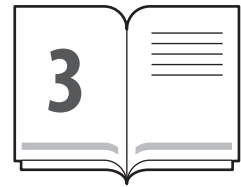
G



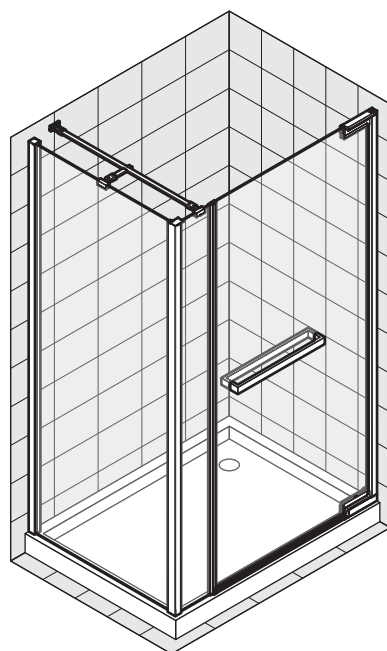
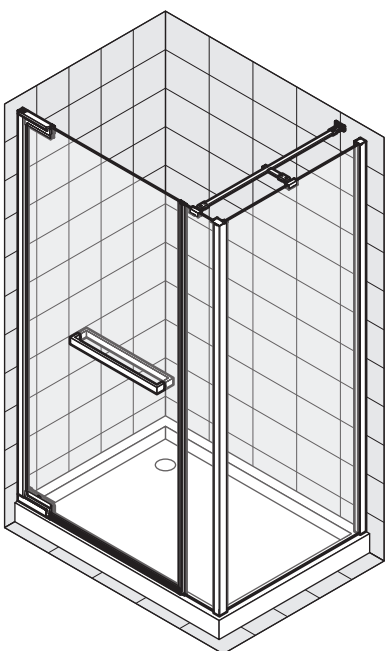
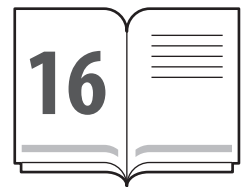
| | |
|--|--|
| | |
| | |
| | |
| | |



GFL

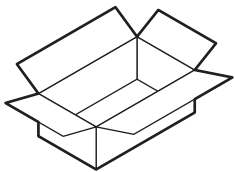
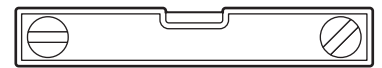
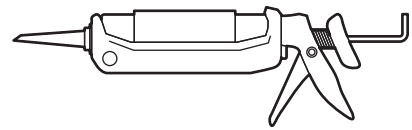
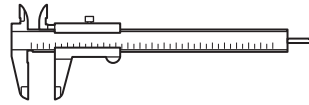
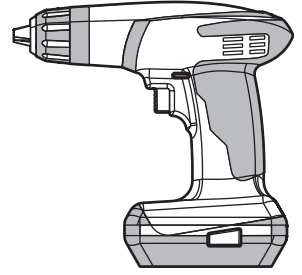
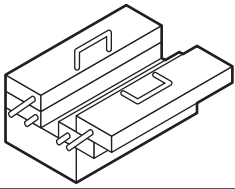


GF



GFL+F

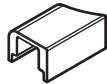




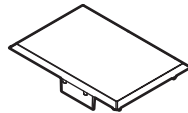
x1



x1



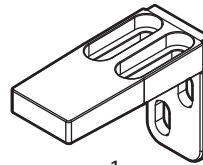
x1



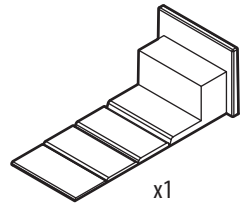
x1



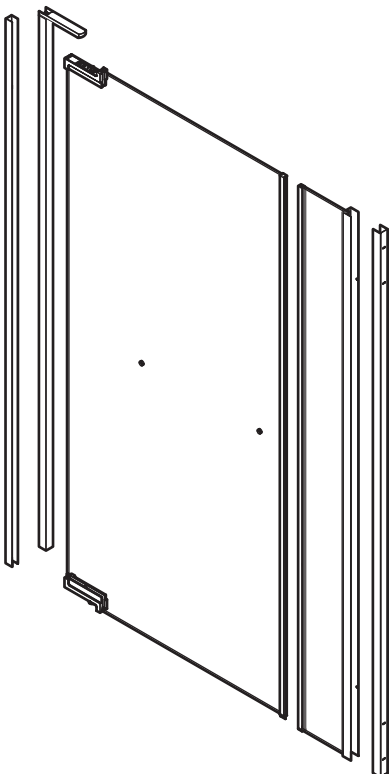
x2



x1



x1



FU8x50 x7



x1



S6 x4



M4x10 x2



x5



4,5x60 x7



3,5x45 x2



4x35 x4



3,5x9,5 x5



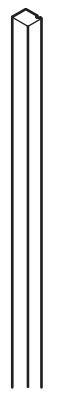
x5



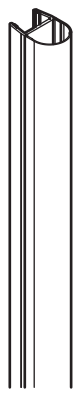
x1



x1



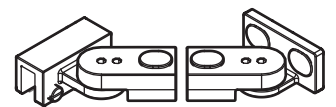
x1



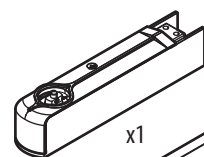
x1



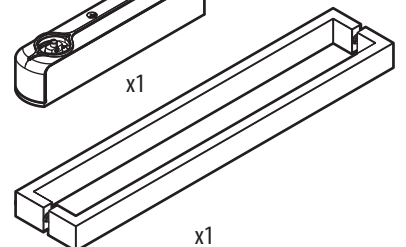
x1



x1



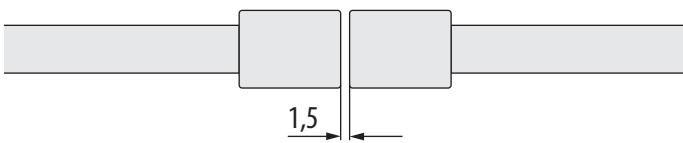
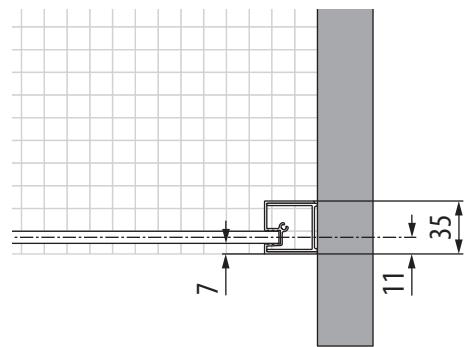
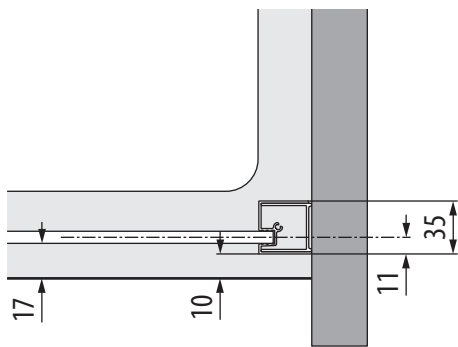
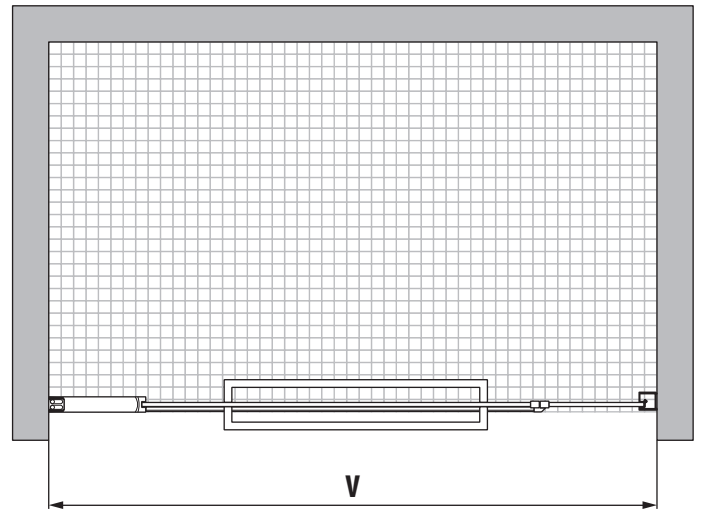
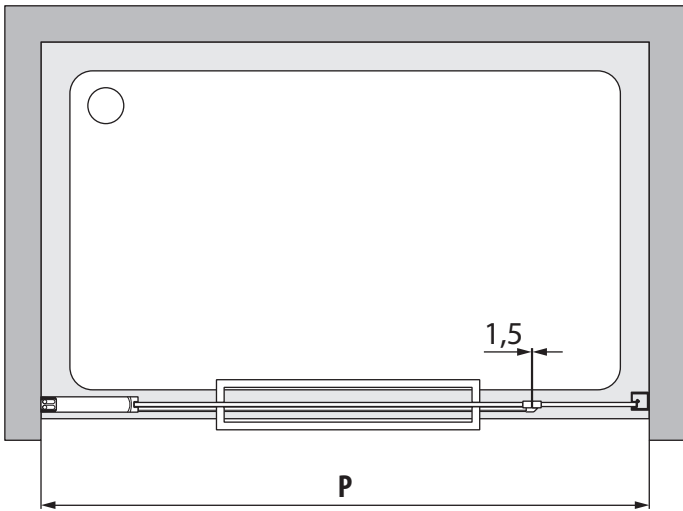
x1



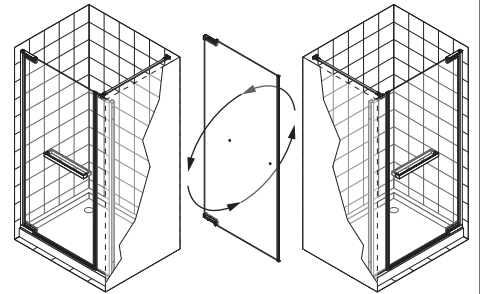
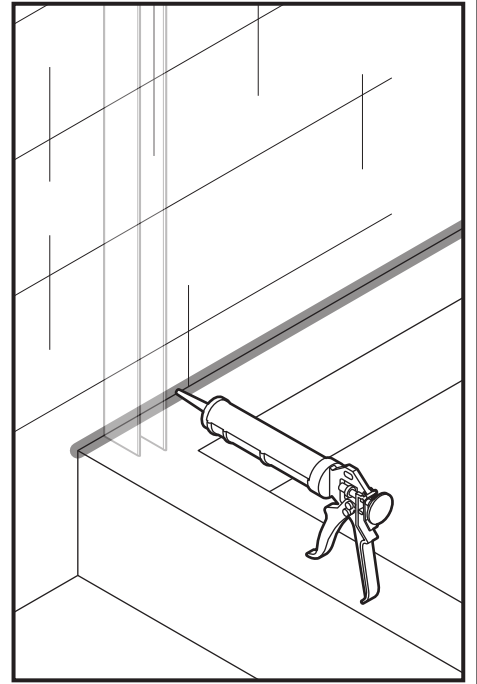
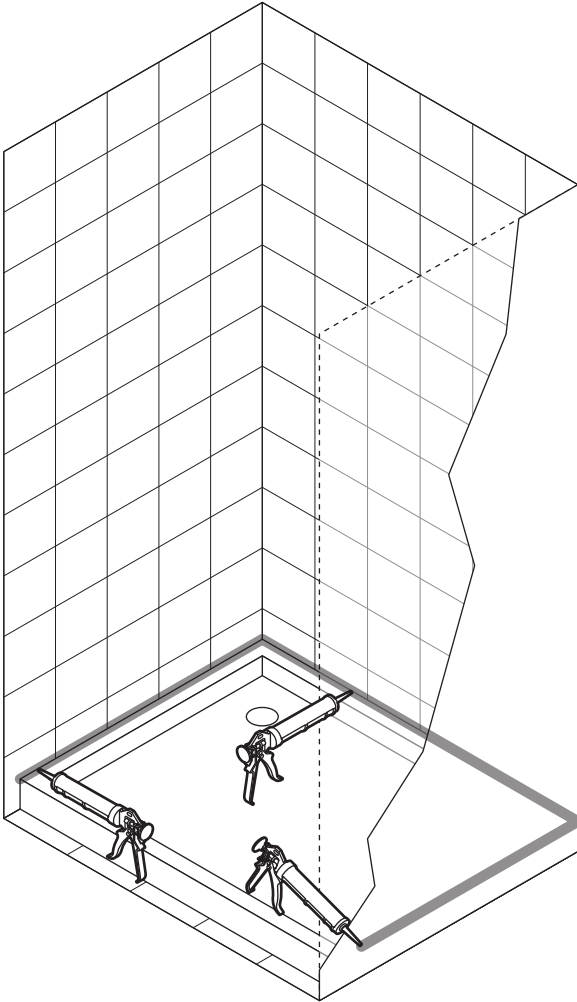
x1

| GFL | P |
|-----|-----------|
| 98 | 970-1000 |
| 100 | 990-1020 |
| 118 | 1170-1200 |
| 120 | 1190-1220 |
| 138 | 1370-1400 |
| 140 | 1390-1420 |
| 158 | 1570-1600 |
| 160 | 1590-1620 |
| 178 | 1770-1800 |
| 180 | 1790-1820 |

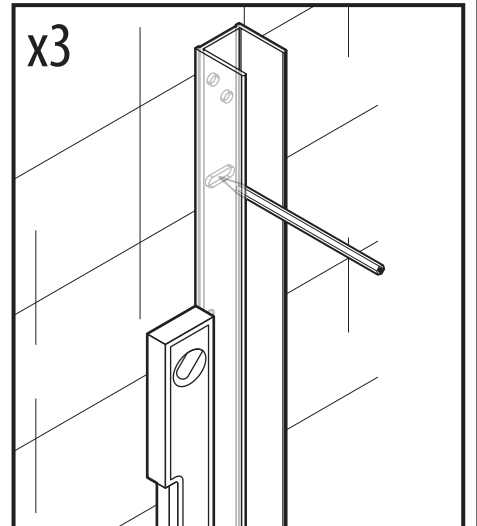
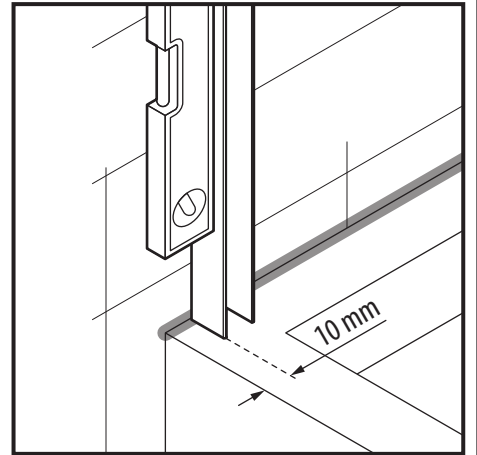
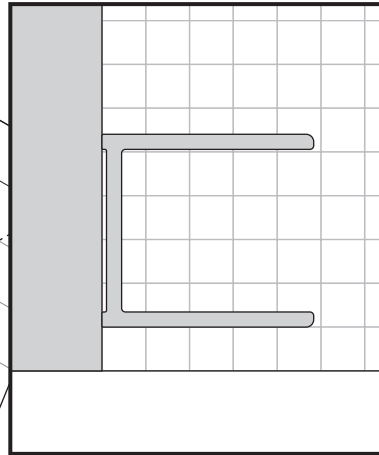
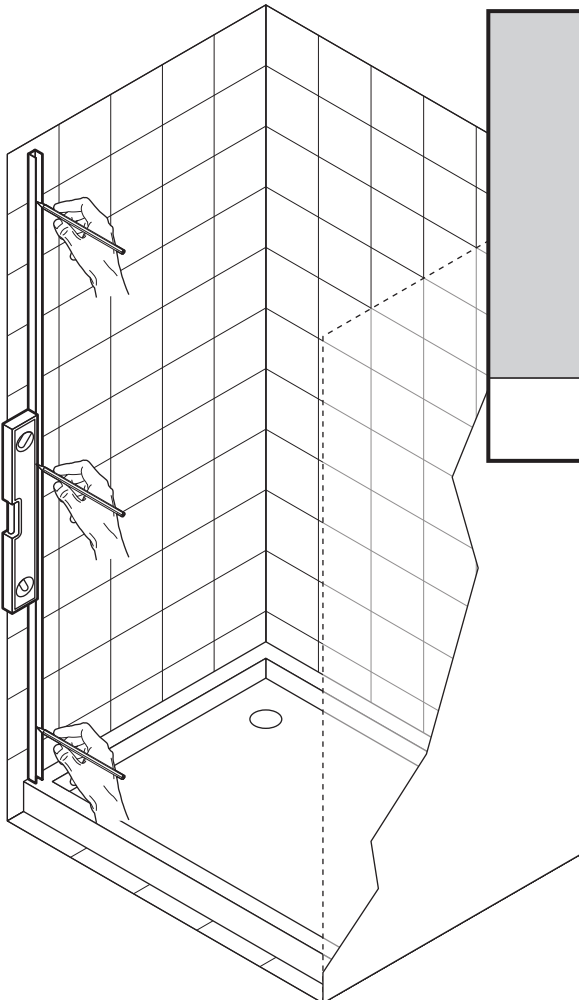
| GFL | V |
|-----|-----------|
| 98 | 970-1000 |
| 100 | 990-1020 |
| 118 | 1170-1200 |
| 120 | 1190-1220 |
| 138 | 1370-1400 |
| 140 | 1390-1420 |
| 158 | 1570-1600 |
| 160 | 1590-1620 |
| 178 | 1770-1800 |
| 180 | 1790-1820 |



1

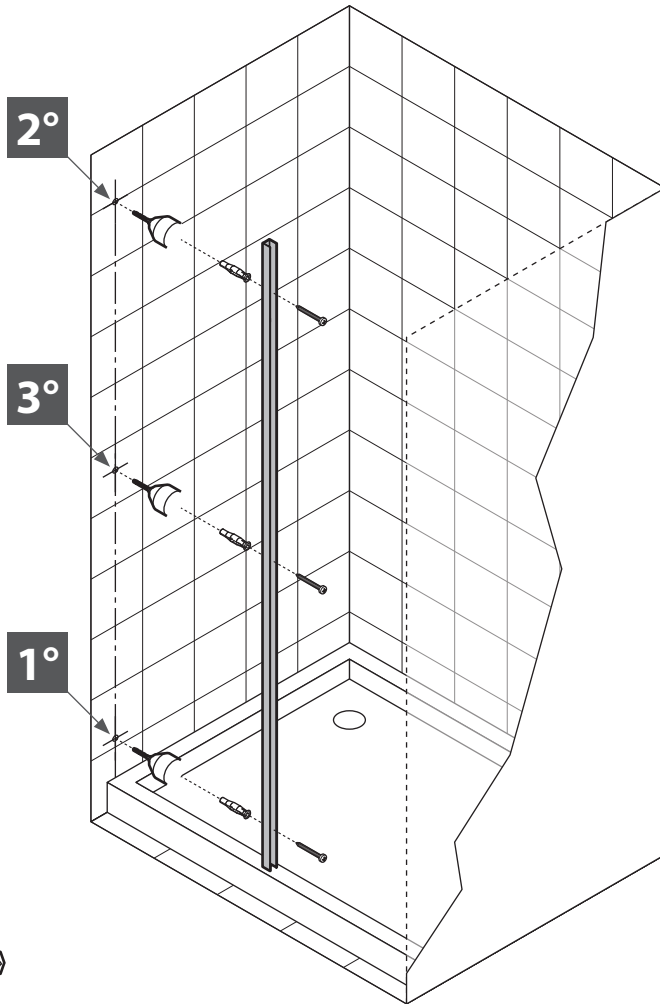


2



x3

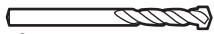
3



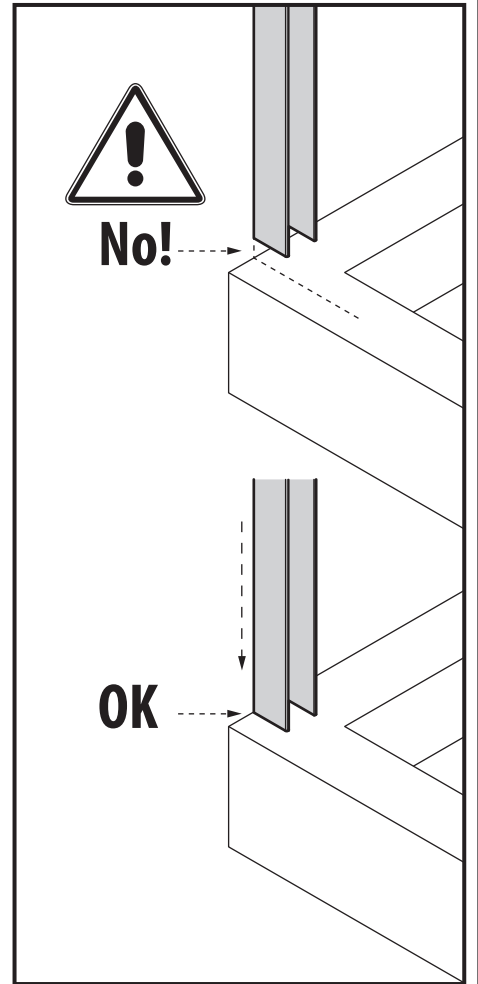
FU8x50 x3



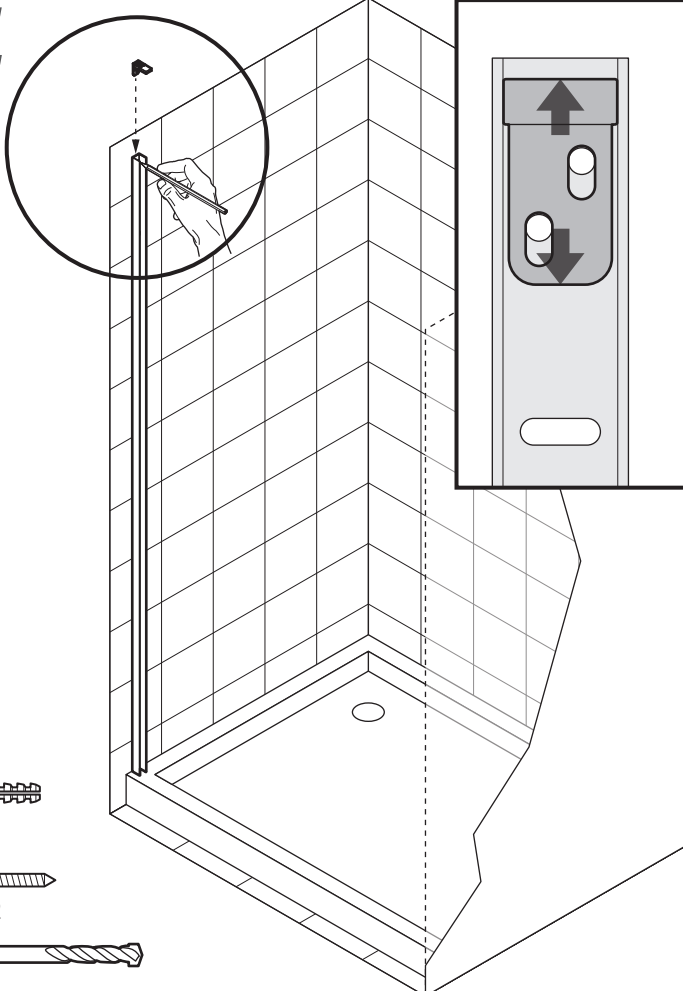
4,5x60 x3



ø8 mm



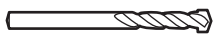
4



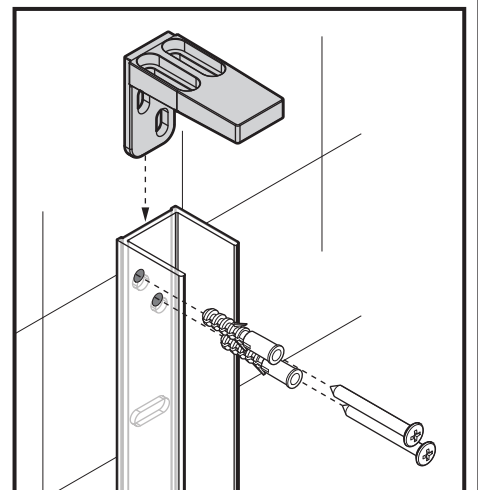
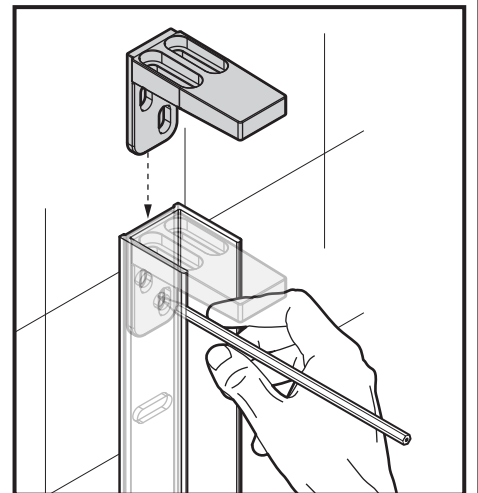
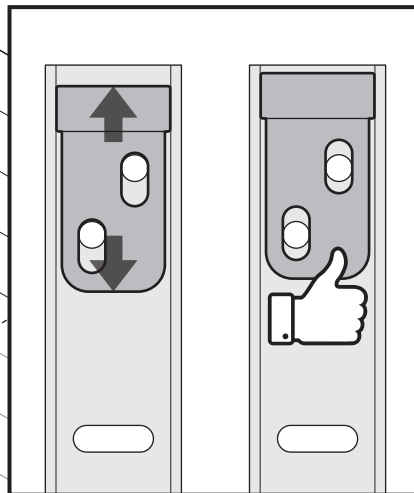
S6 x2



4x35 x2

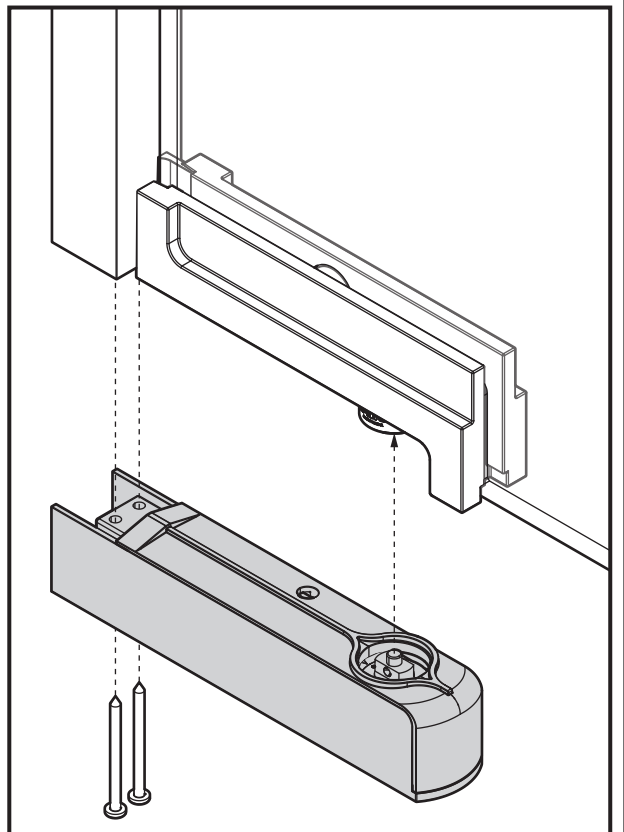
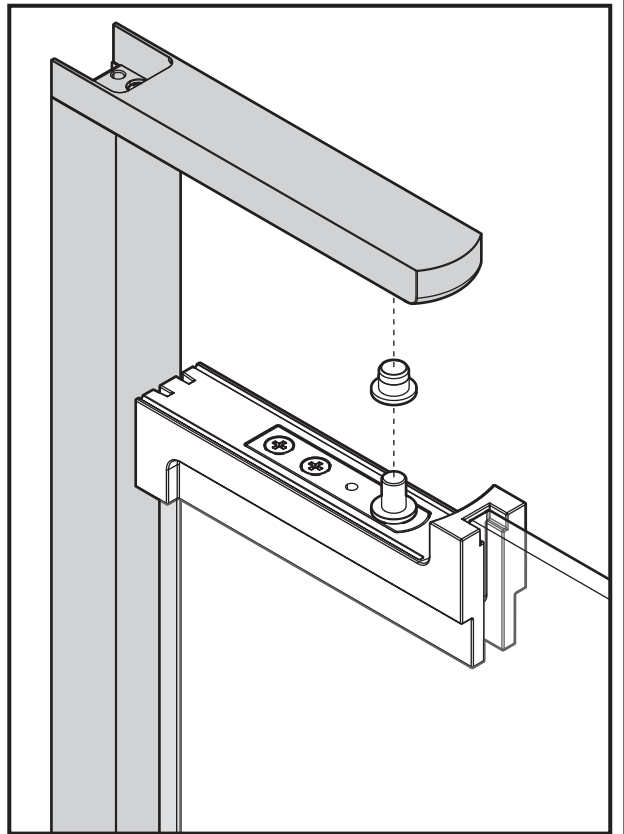
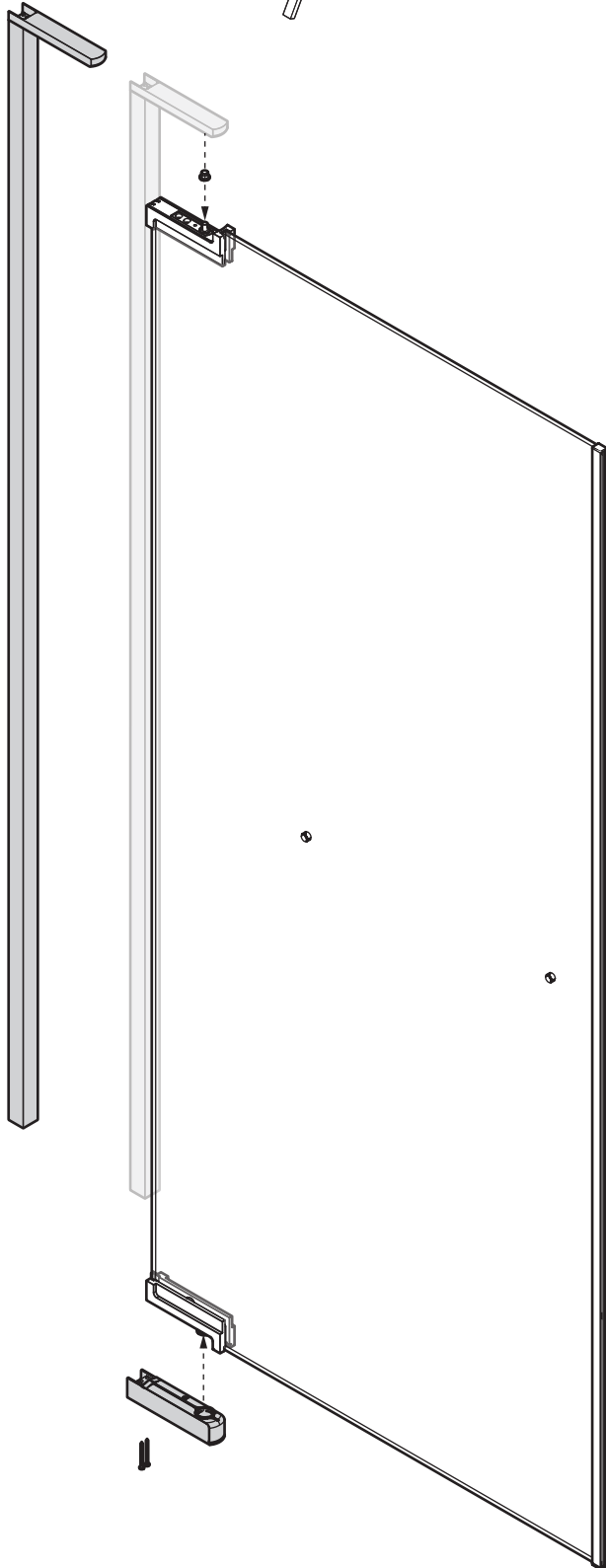
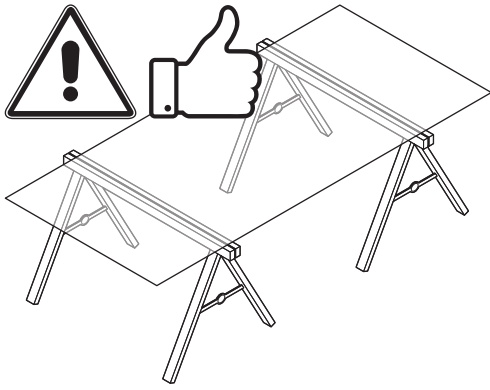


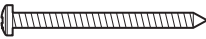
ø6 mm



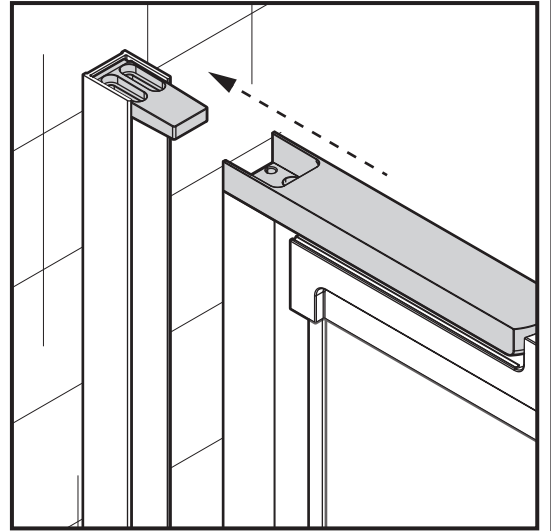
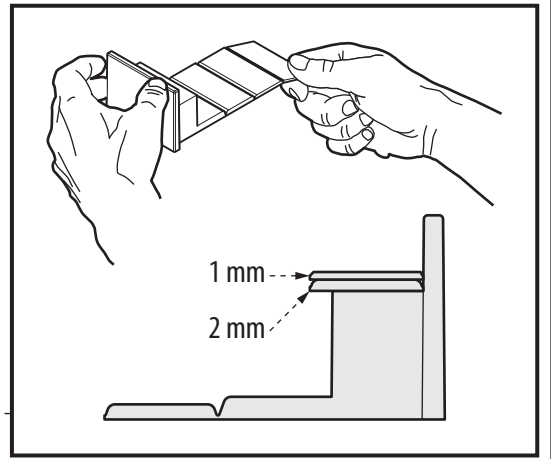
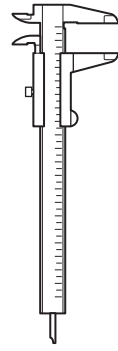
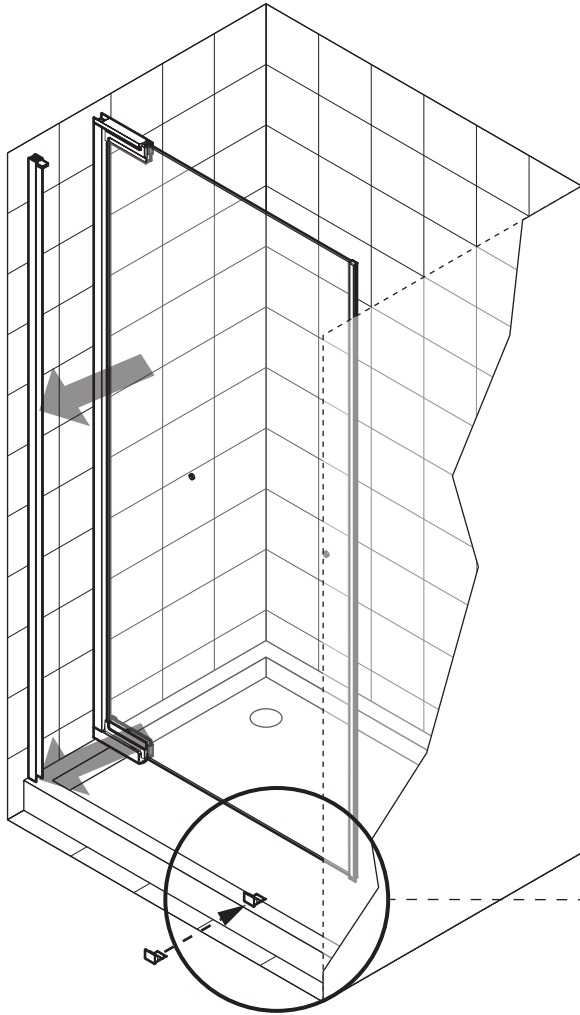
6

5

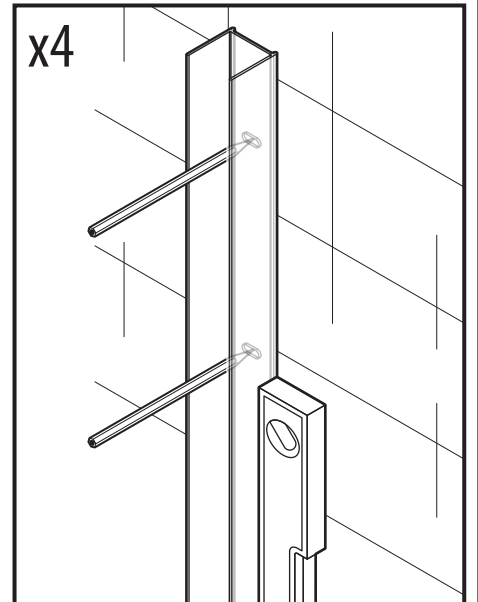
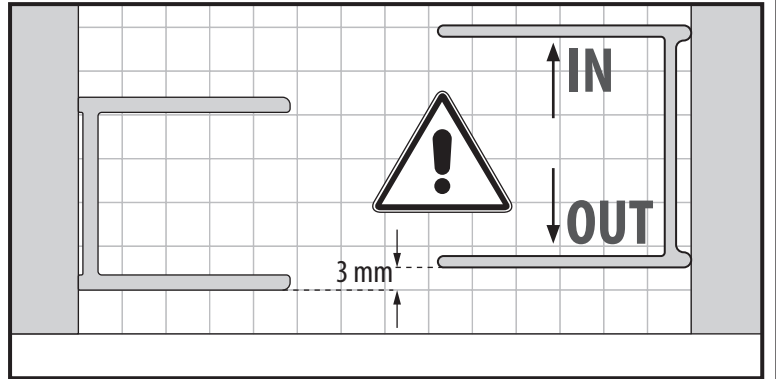
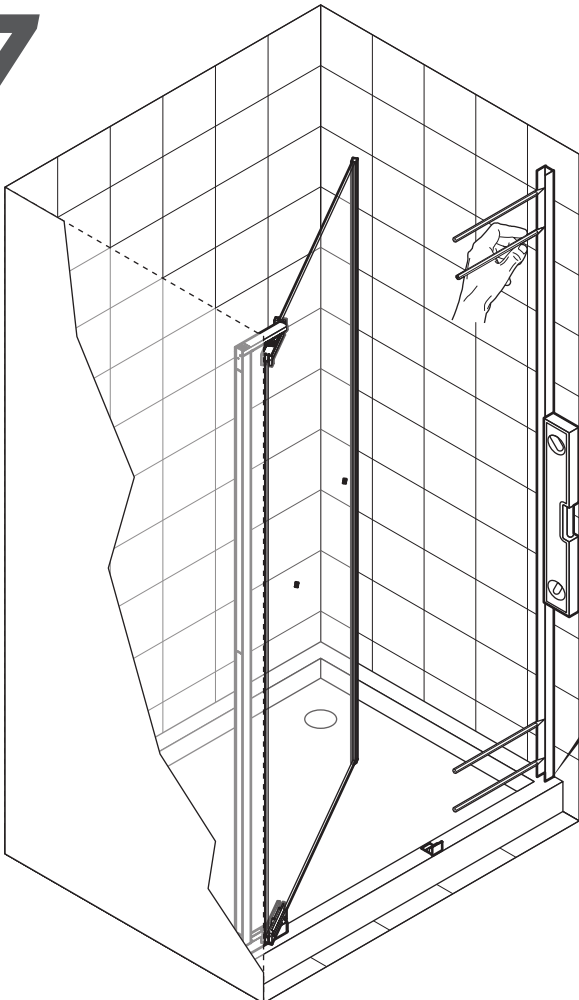



3,5x45 x2

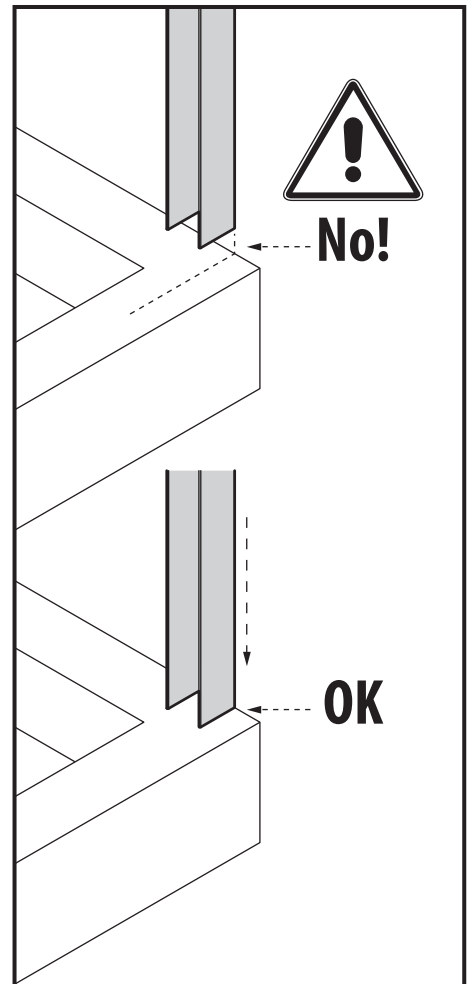
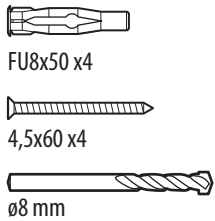
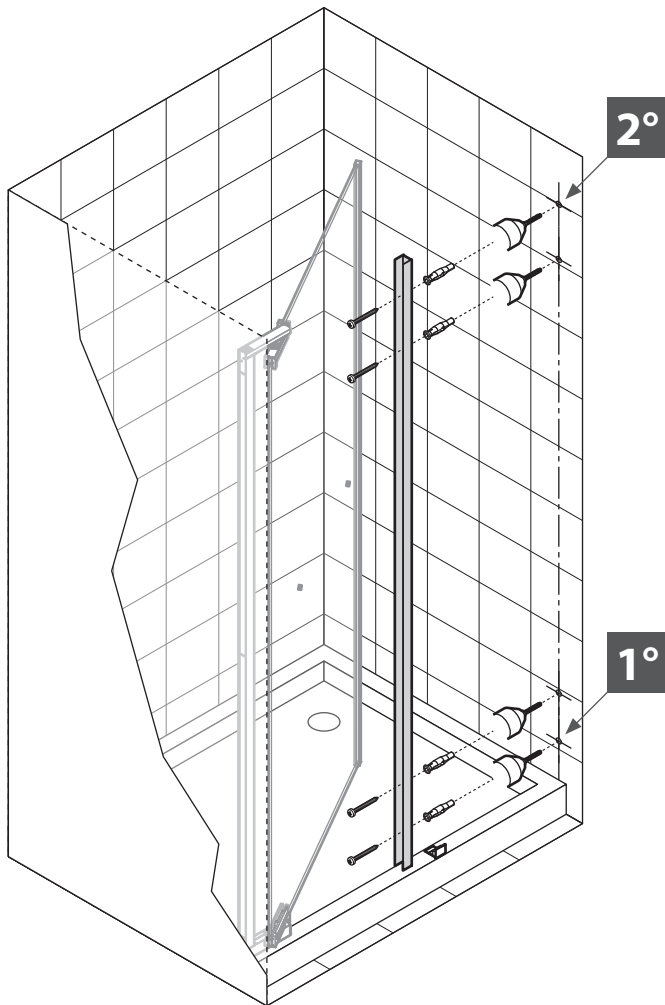
6



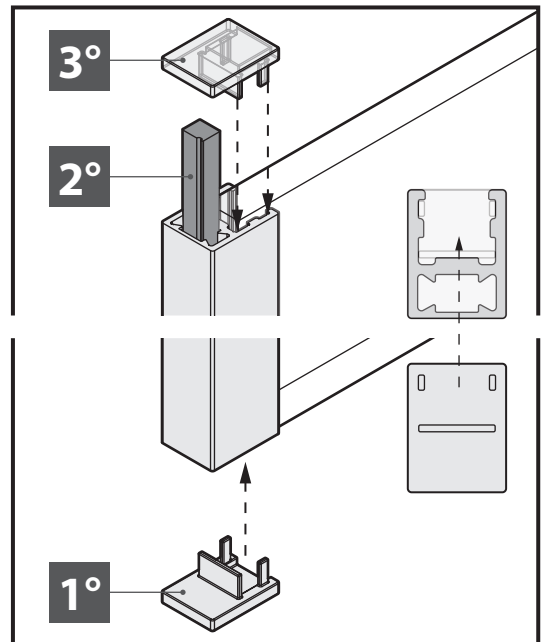
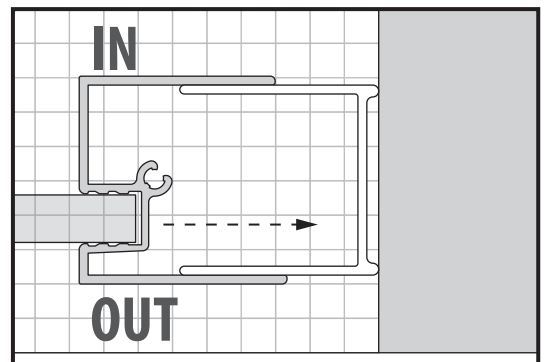
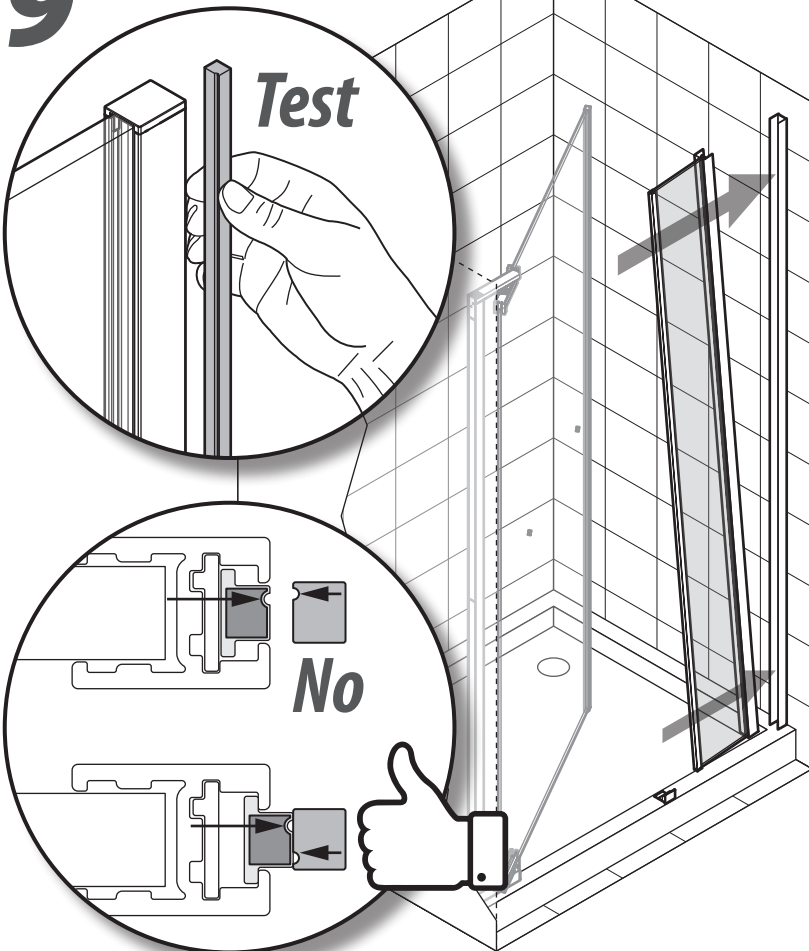
7



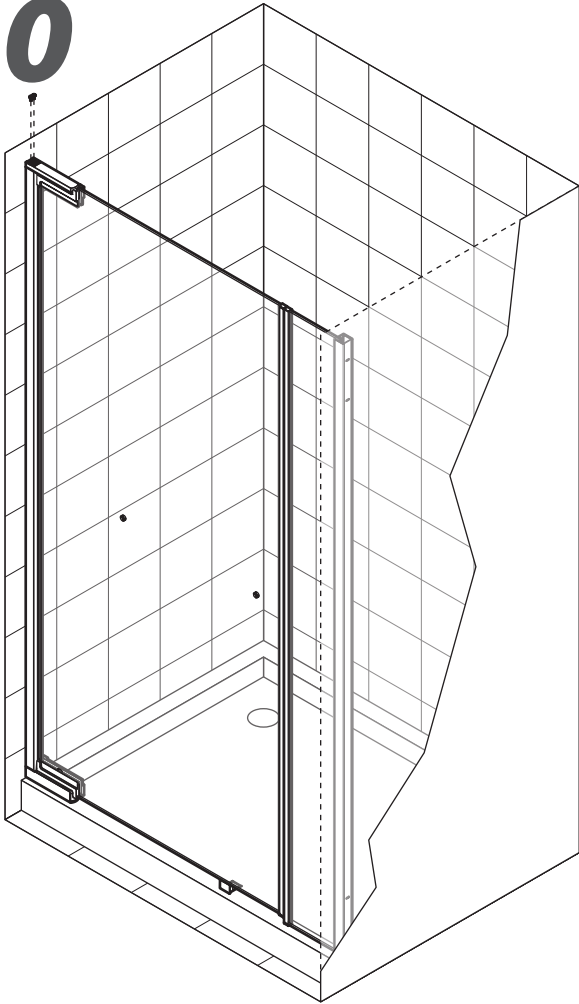
8



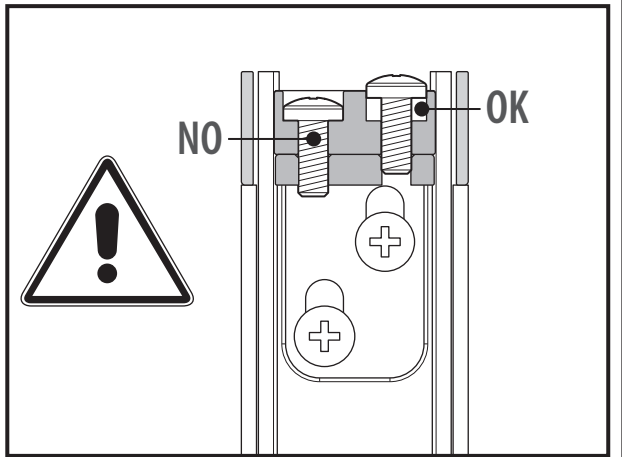
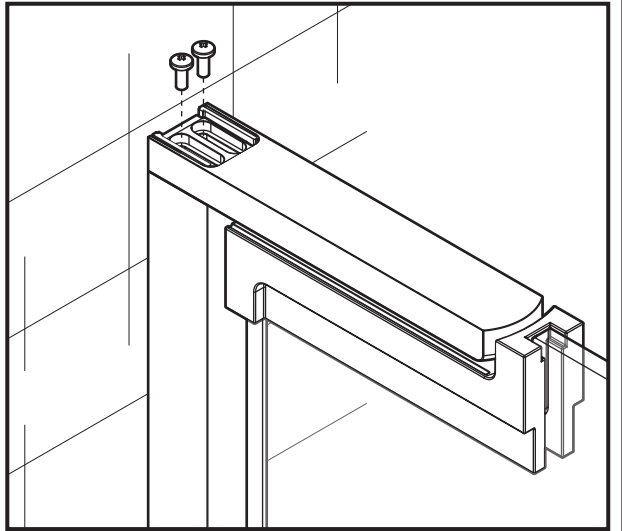
9



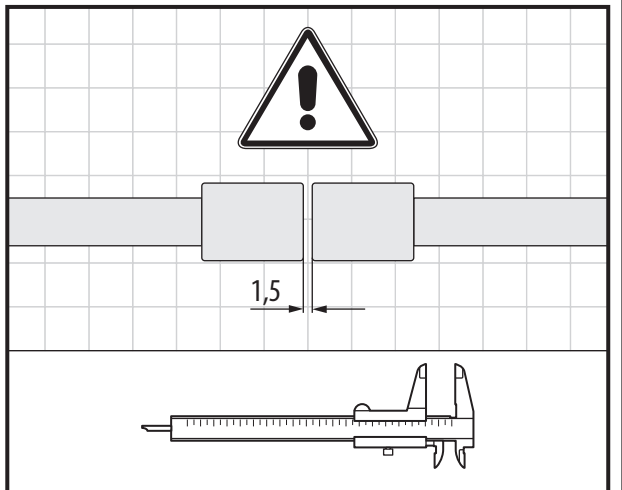
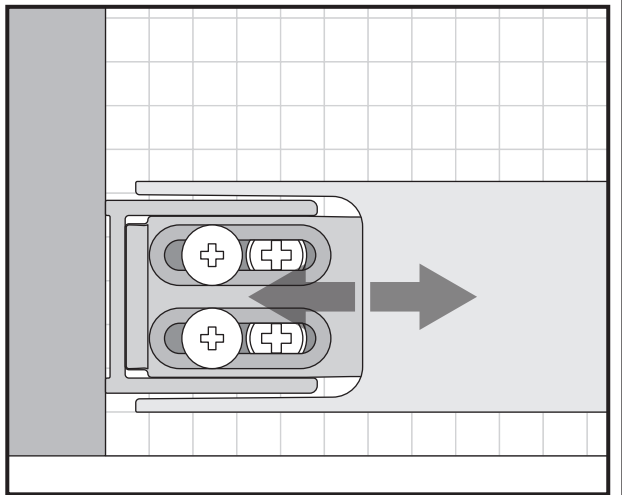
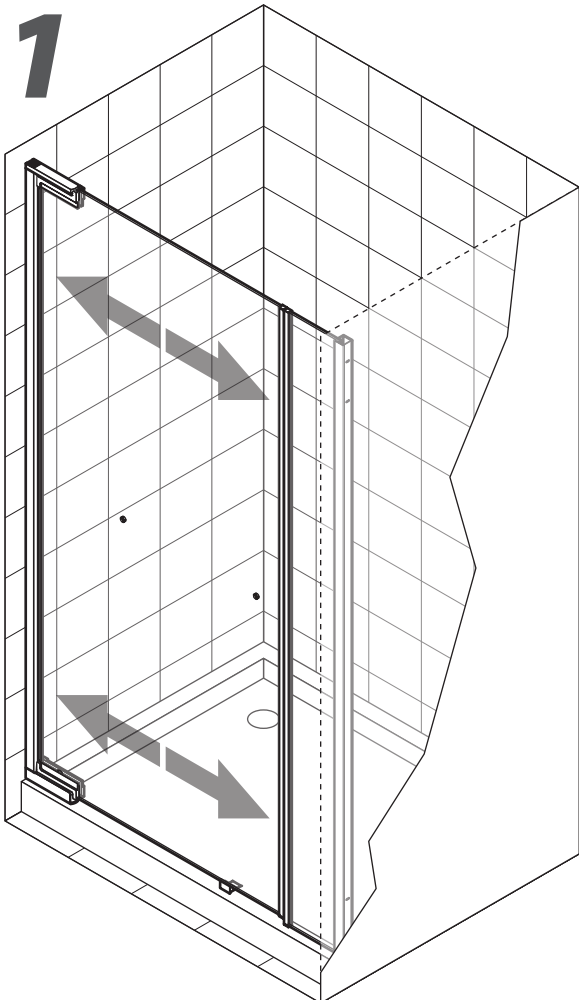
10



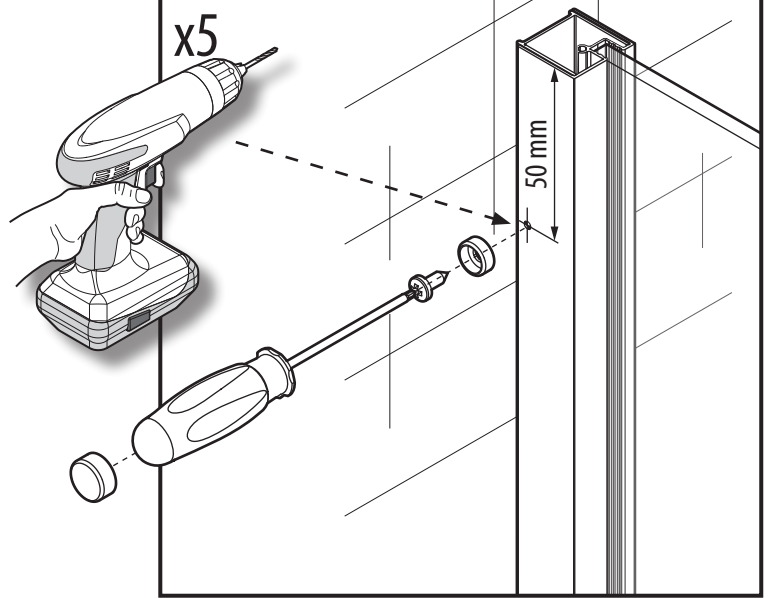
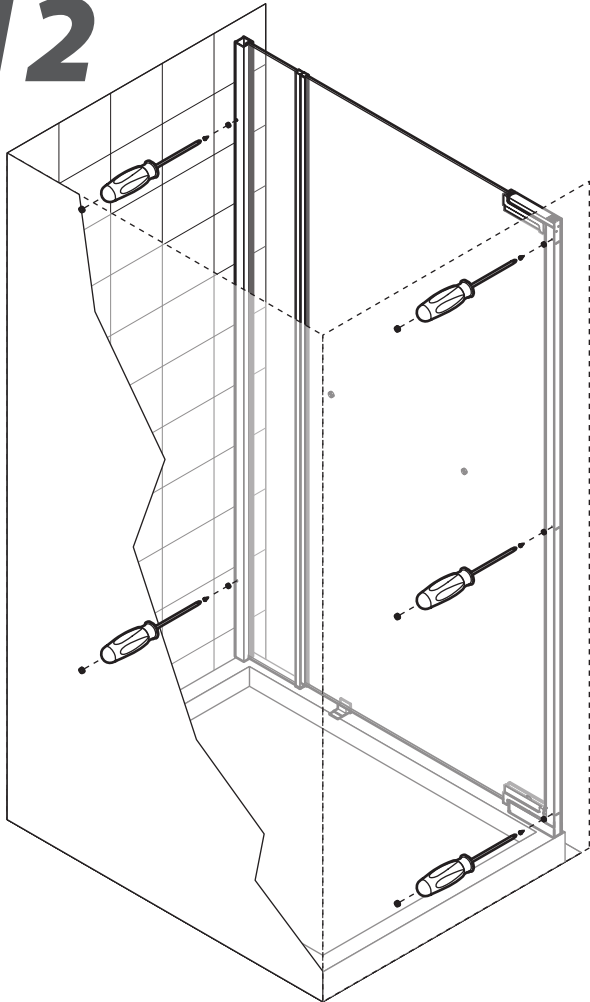

M4x10 x2



11



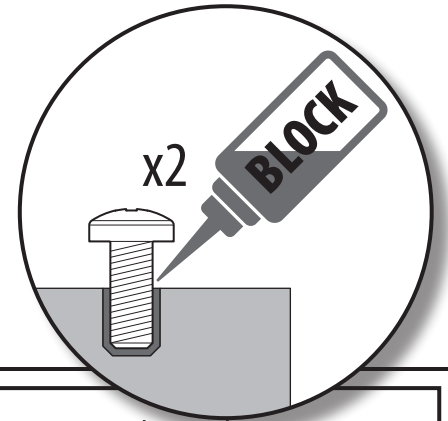
12



x5

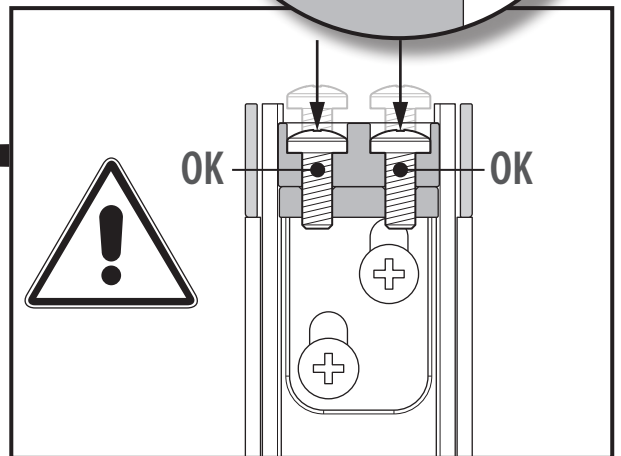
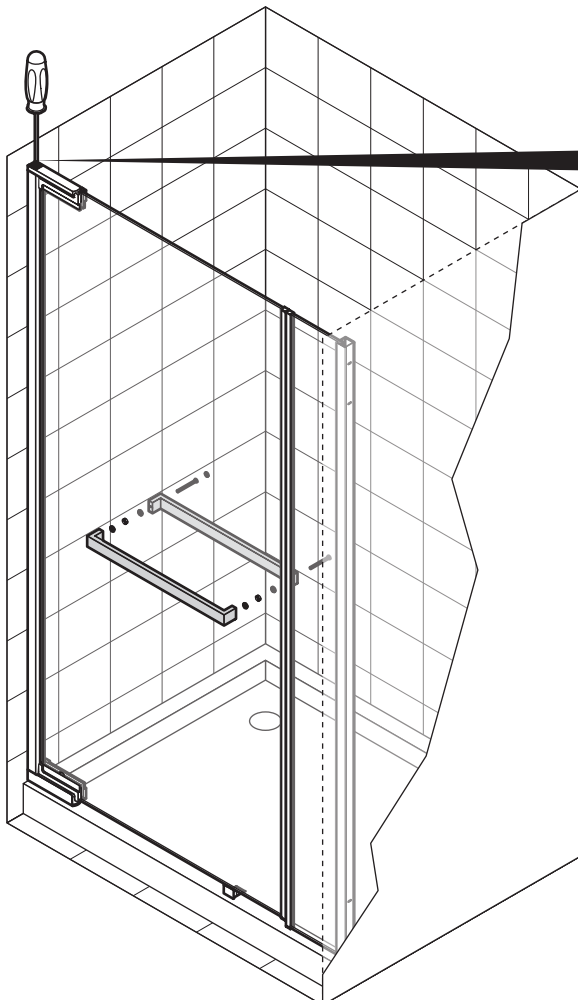
ø3 mm

3,5x9,5 x5



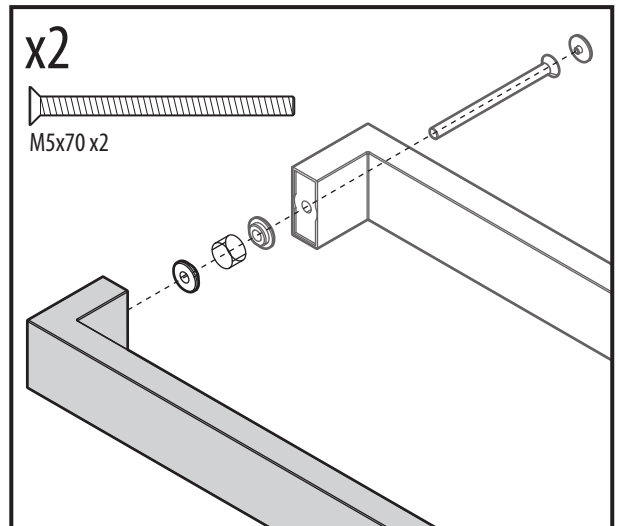
x2

13

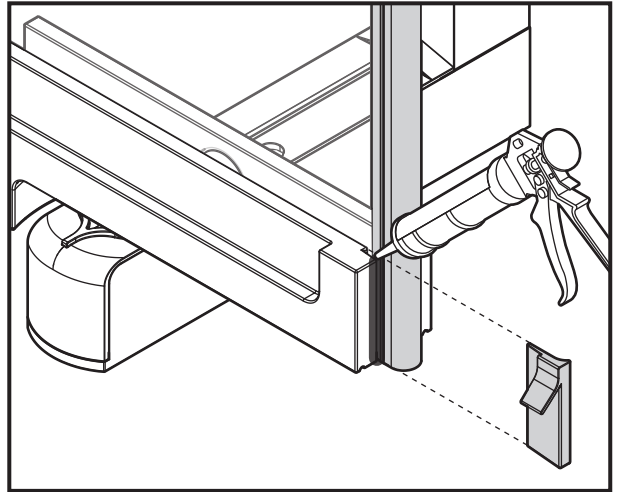
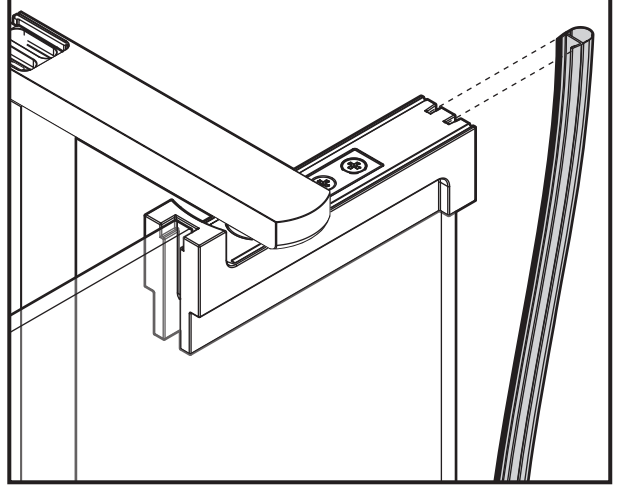
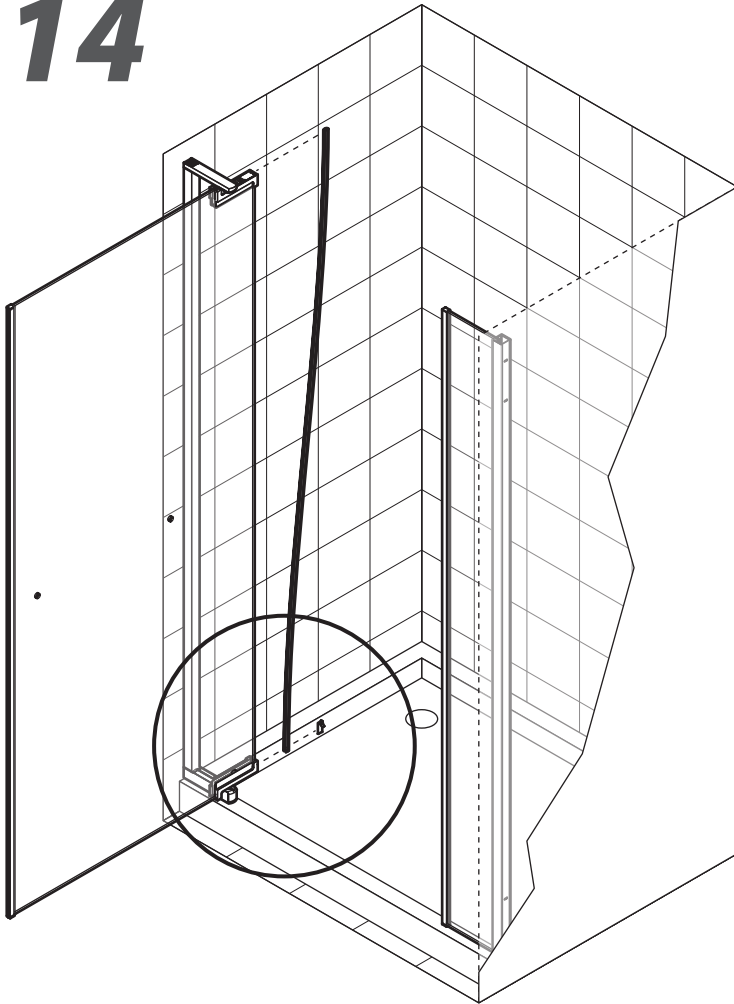


x2

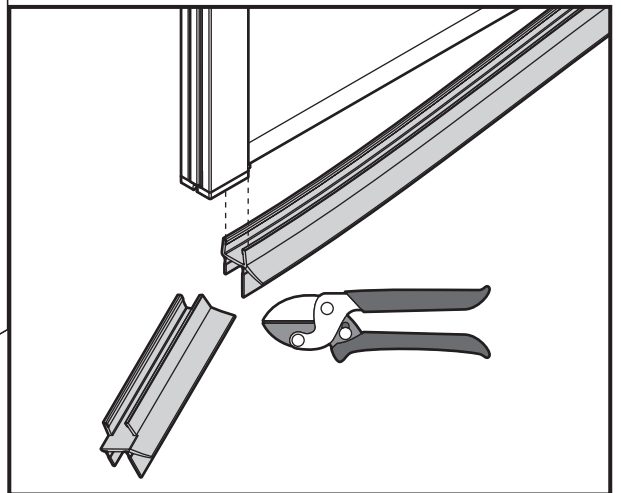
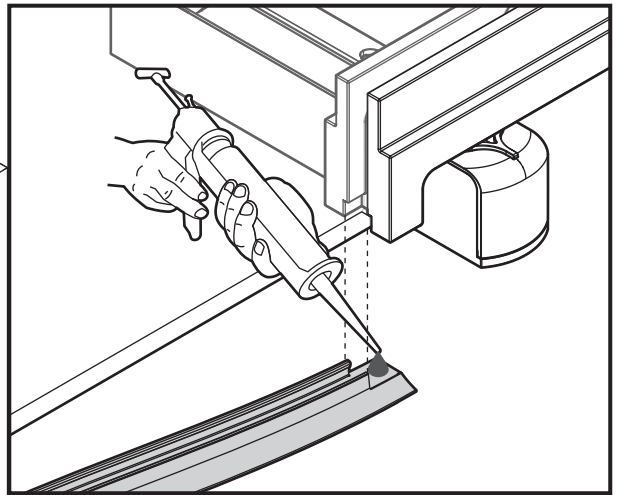
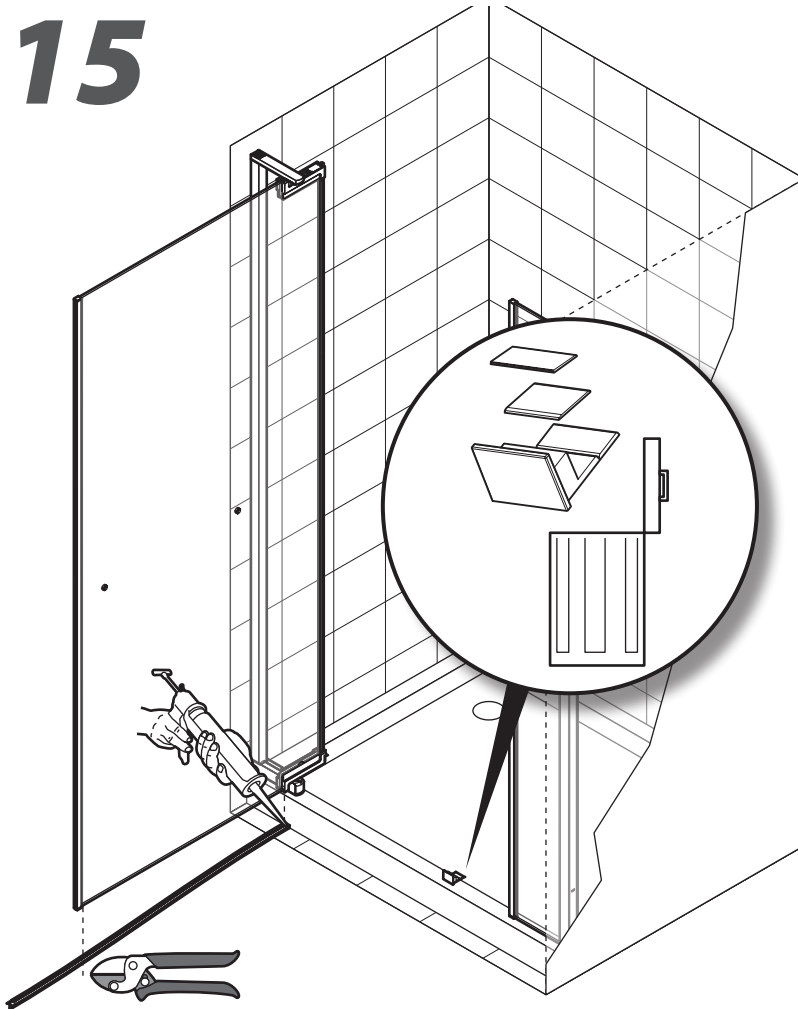
M5x70 x2



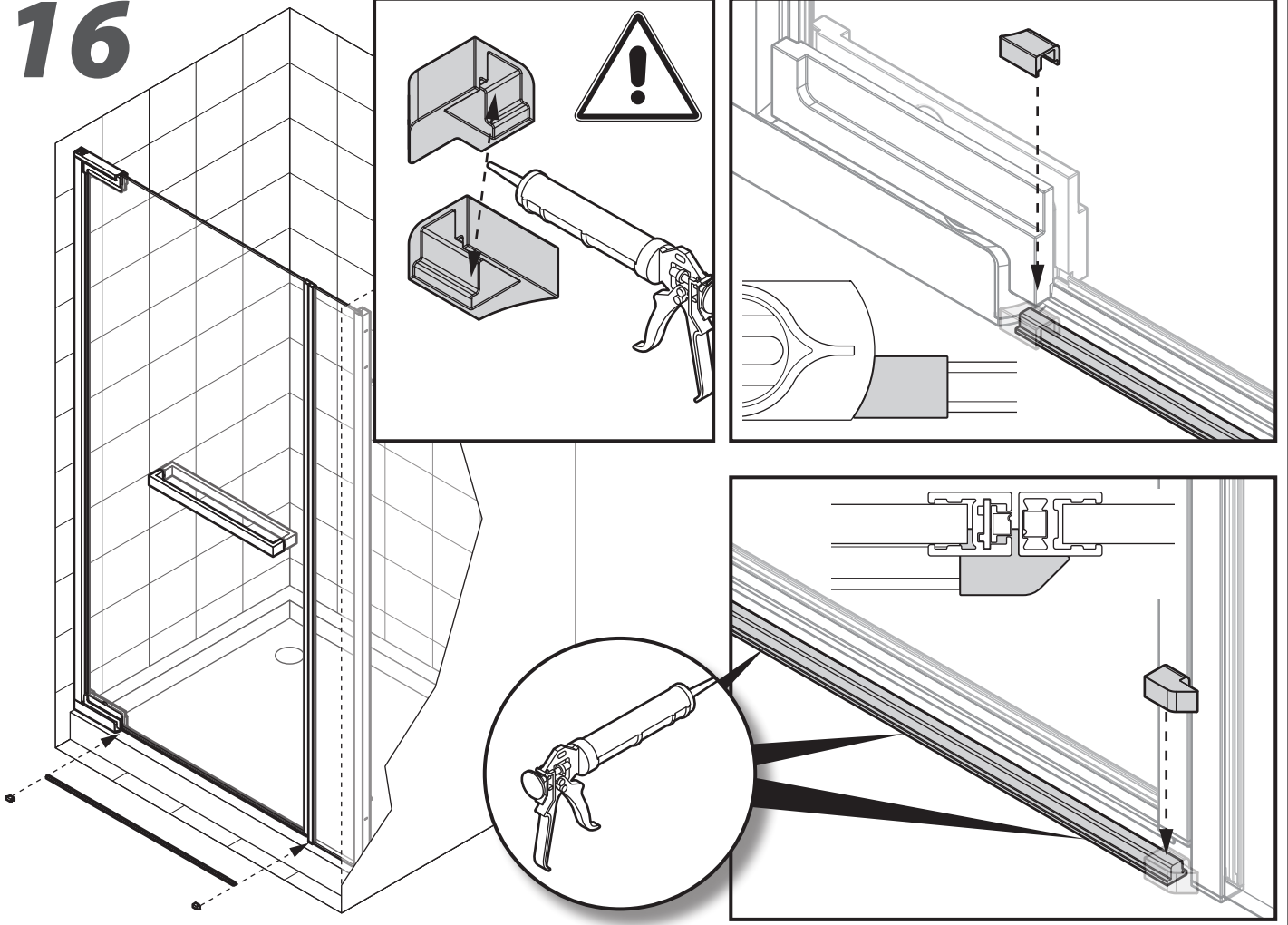
14



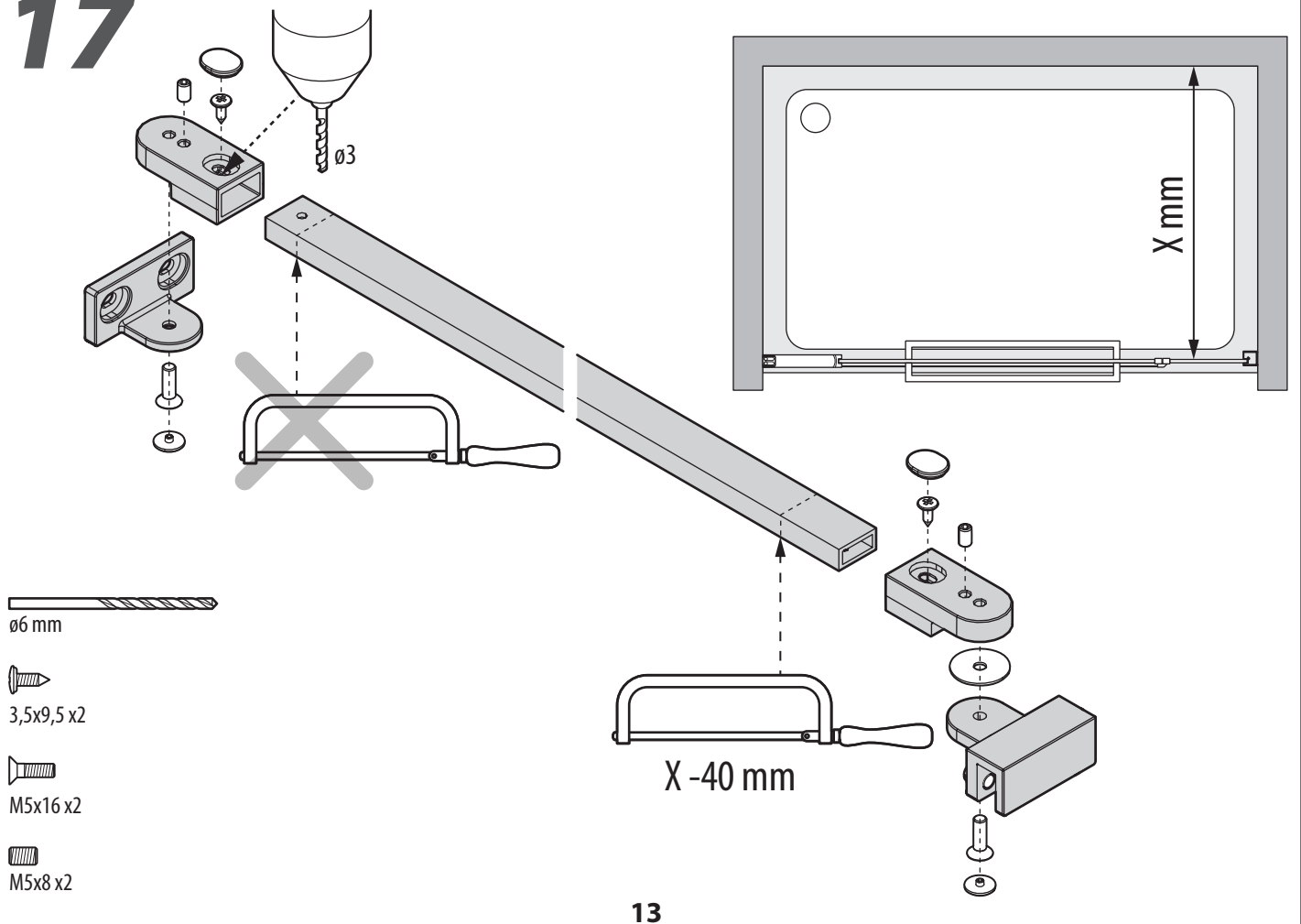
15



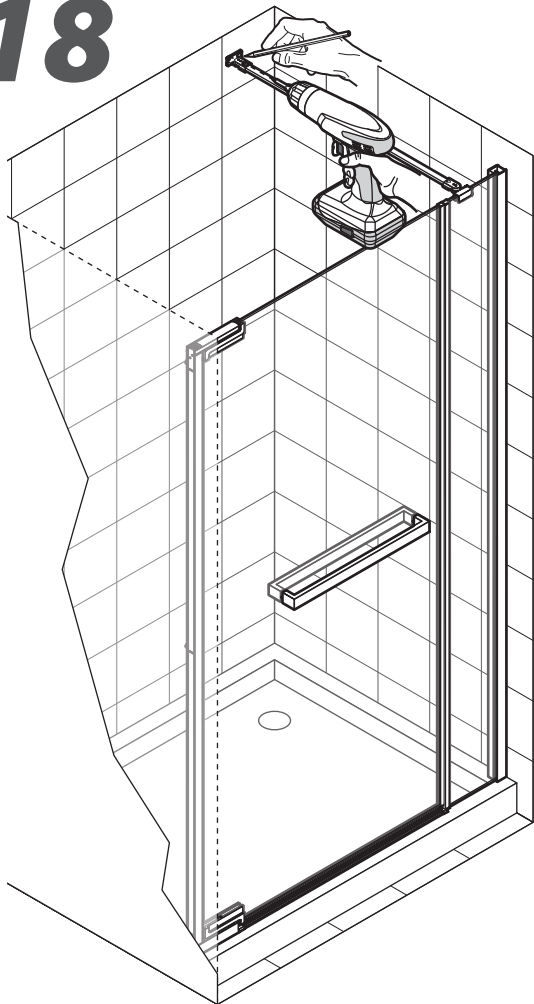
16


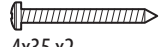
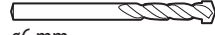


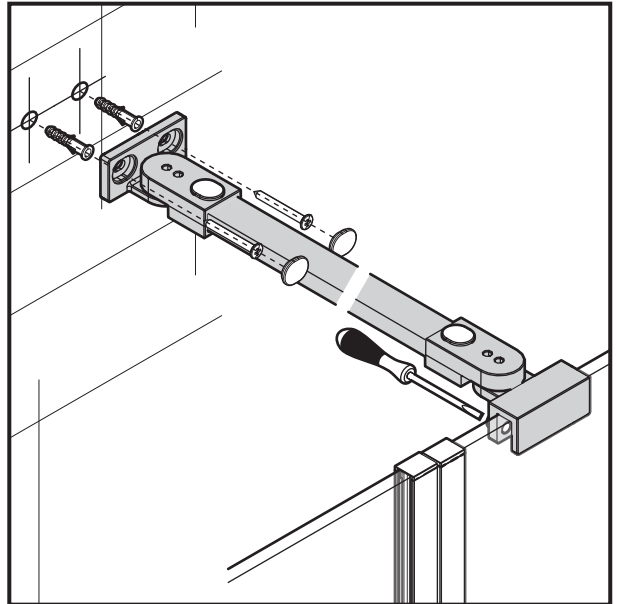
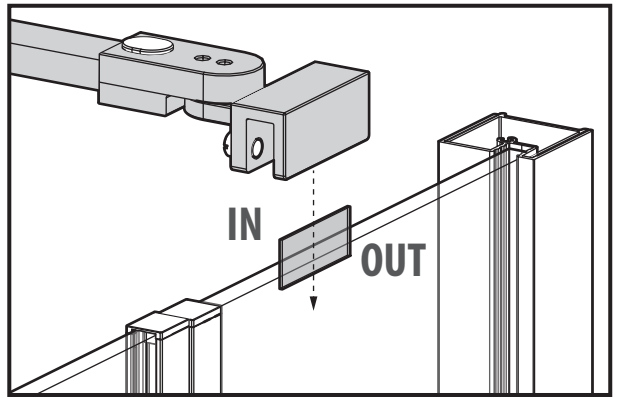
17



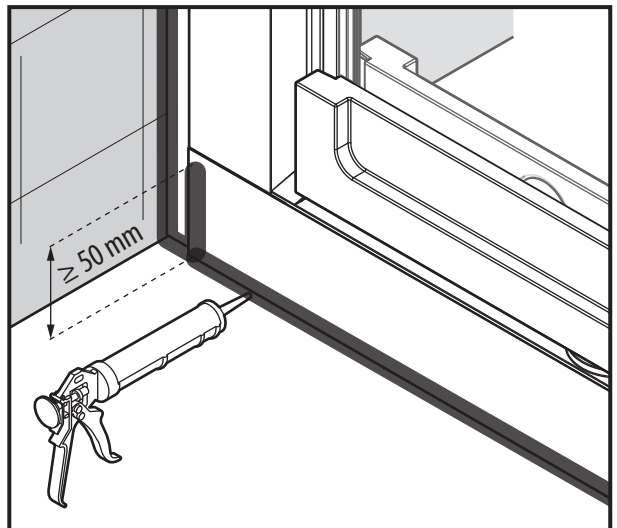
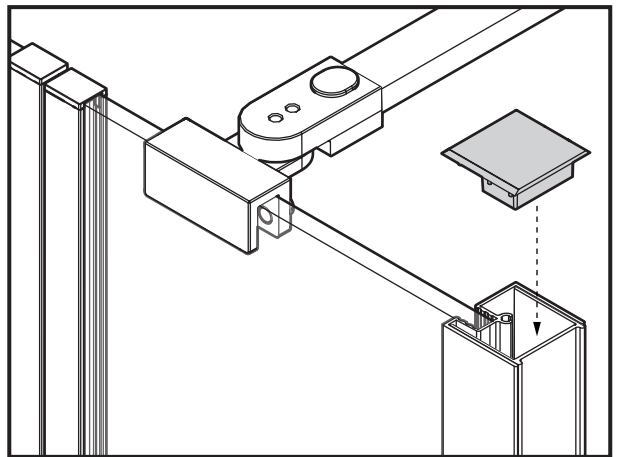
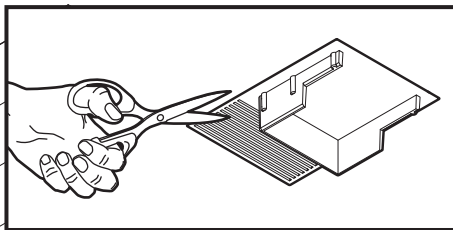
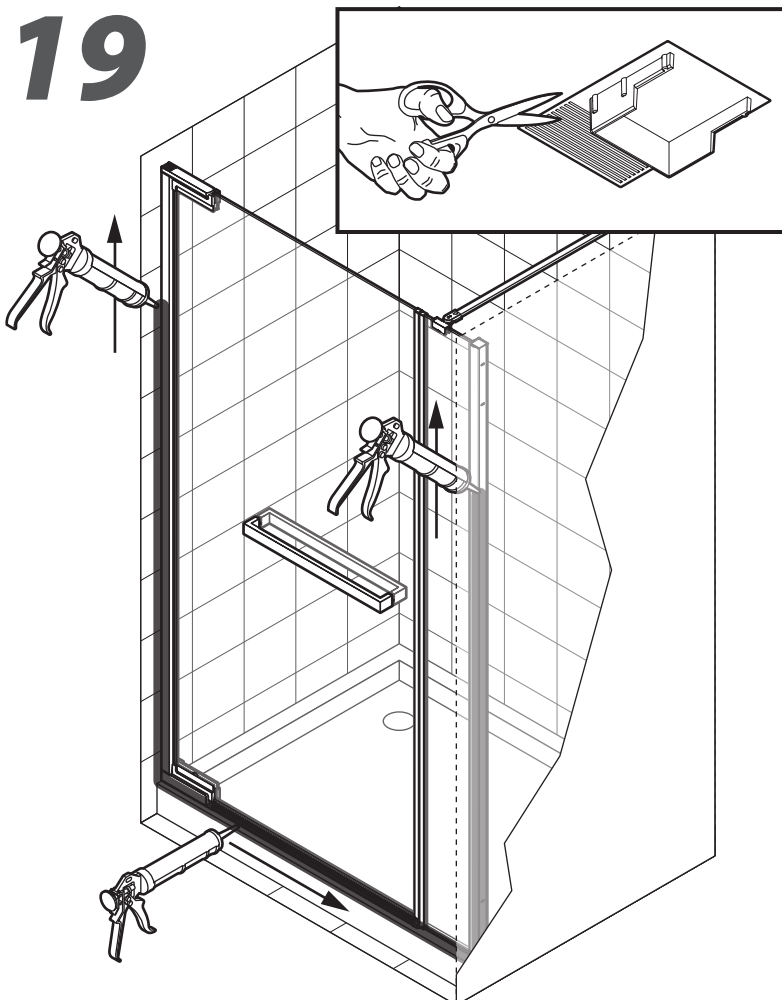
18



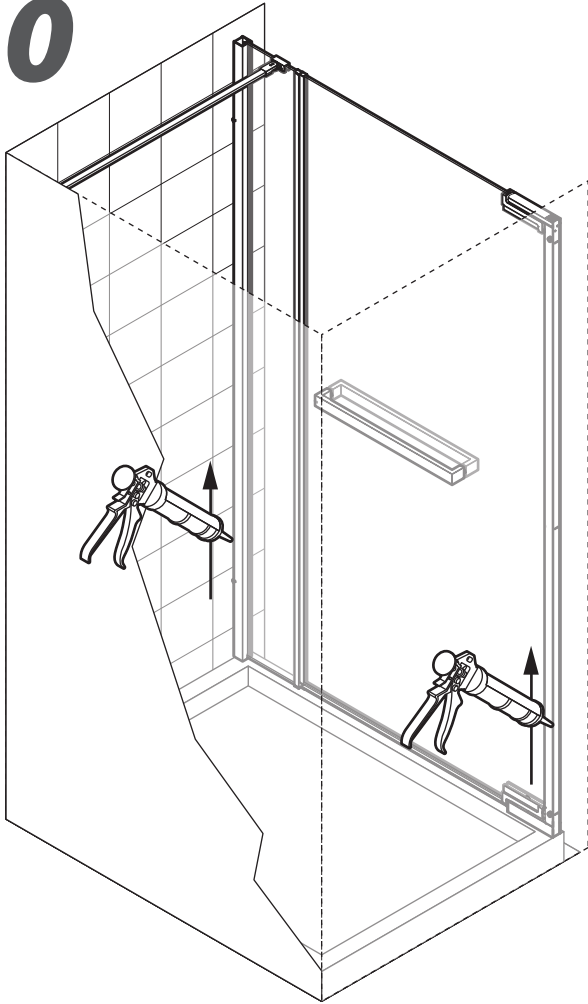
-  S6 x2
-  4x35 x2
-  $\varnothing 6$ mm



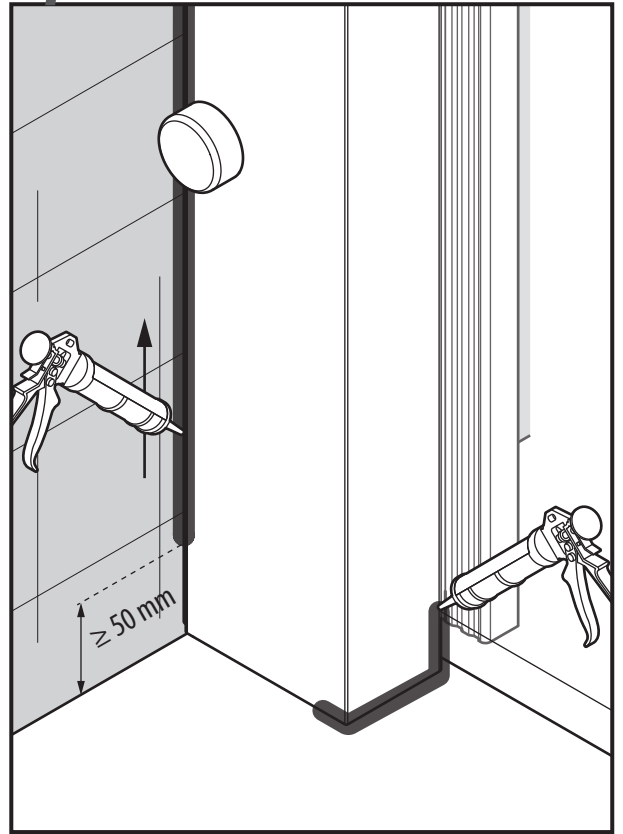
19



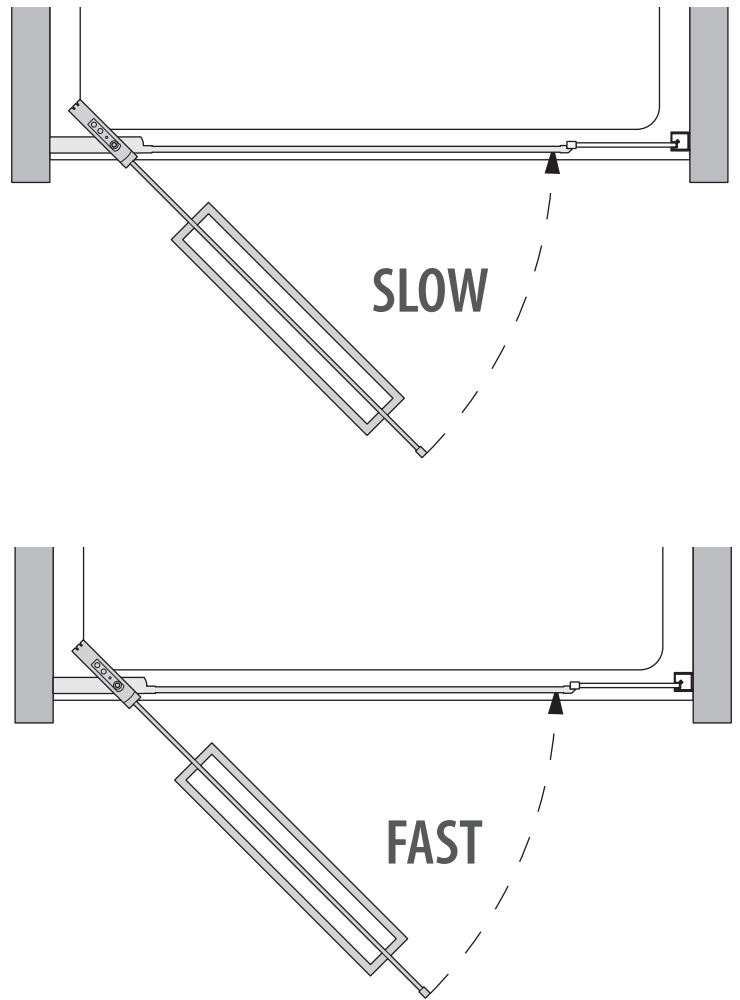
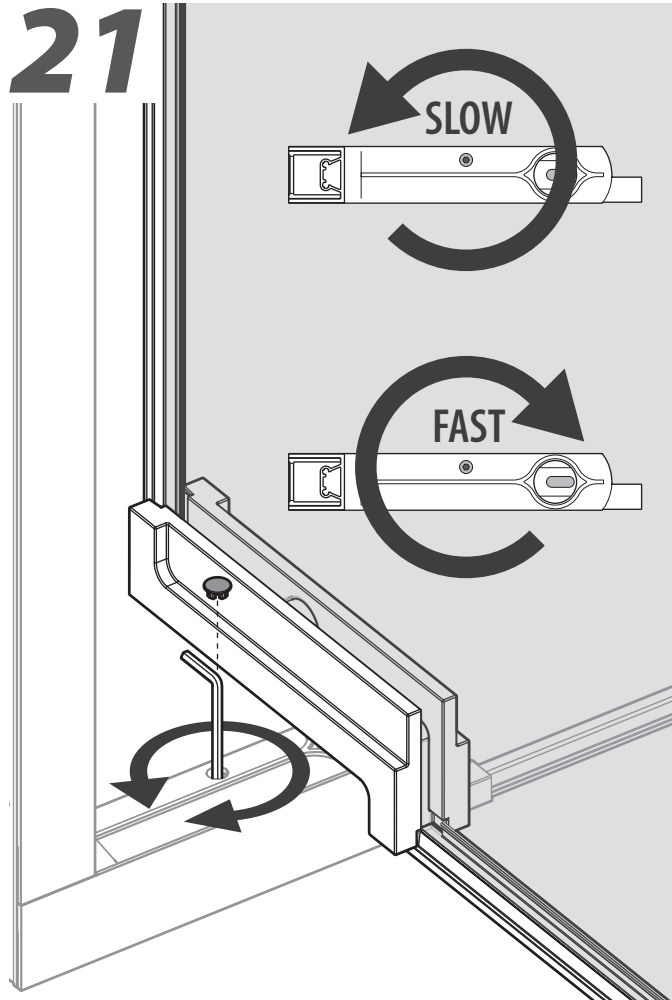
20

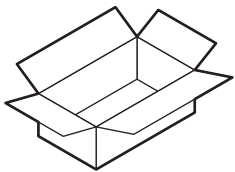
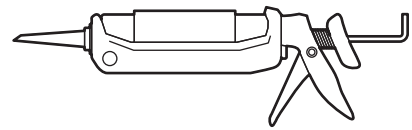
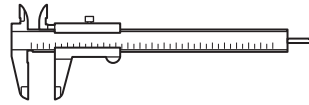
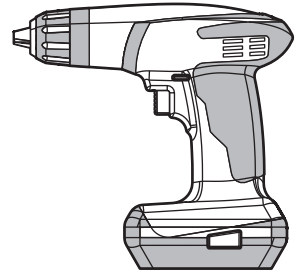
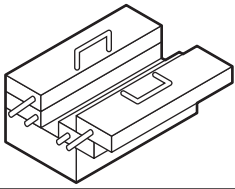


Optional



21

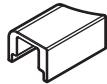




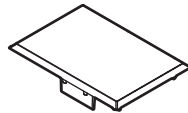
x1



x1



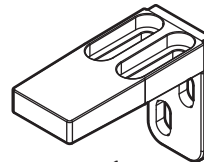
x1



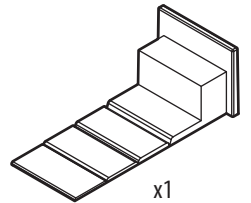
x1



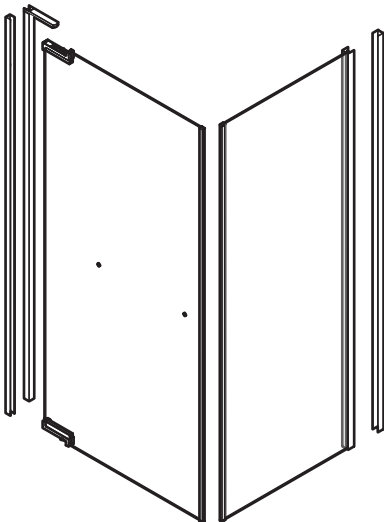
x2



x1



x1



FU8x50 x7



x1



S6 x4



M4x10 x2



x5



4,5x60 x7



3,5x45 x2



4x35 x4



3,5x9,5 x5



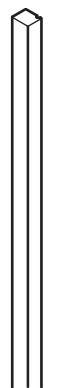
x5



x1



x1



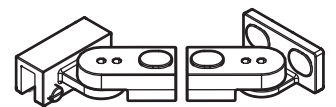
x1



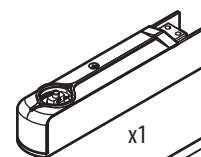
x1



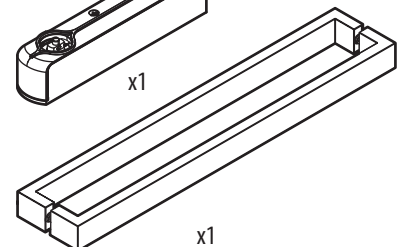
x1



x1



x1



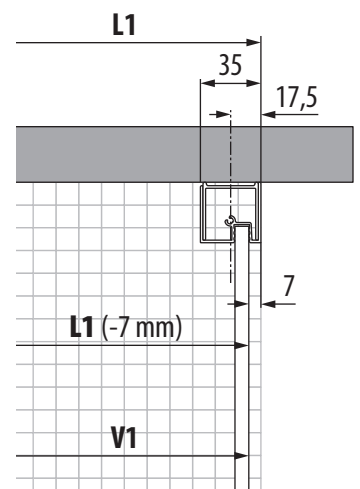
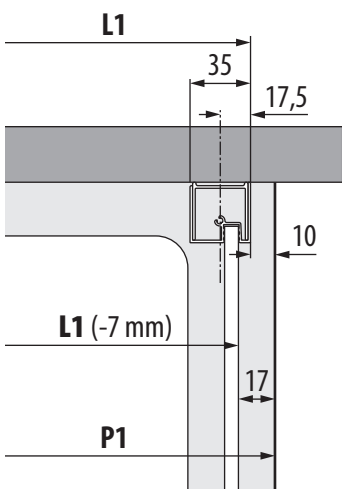
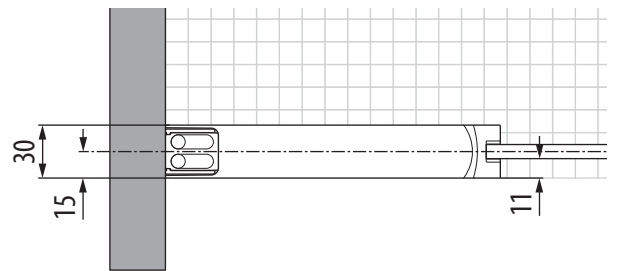
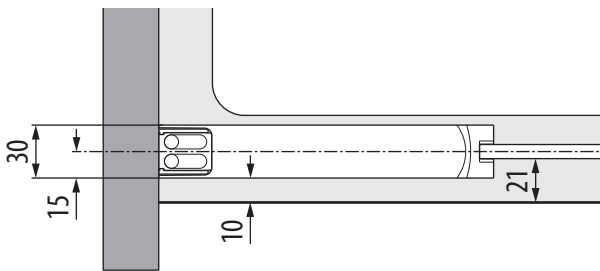
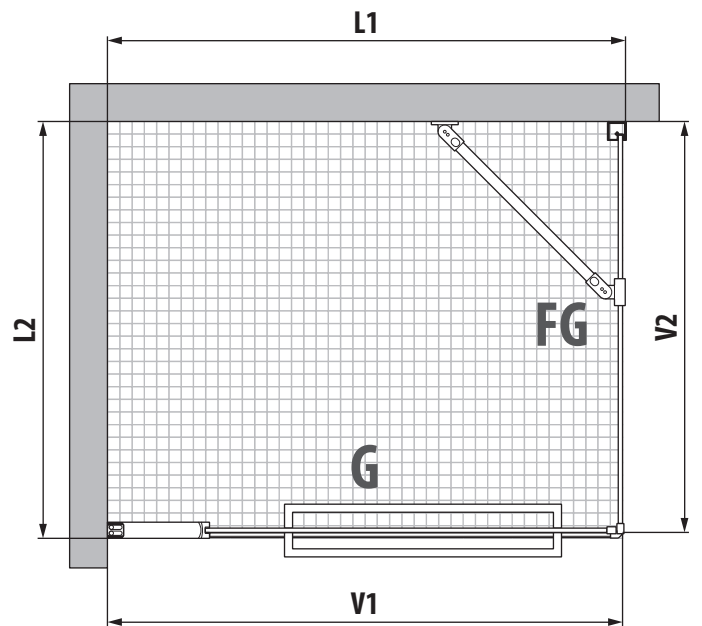
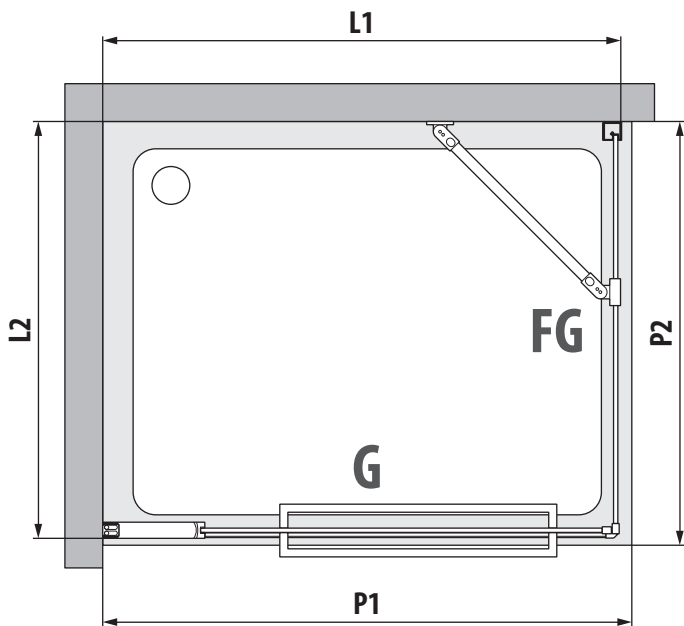
x1

| G | P1 | L1 mm |
|-----|----------|---------|
| 80 | 790-805 | 780-795 |
| 90 | 890-905 | 880-895 |
| 100 | 990-1005 | 980-995 |

| FG | P2 | L2 mm |
|-----|-----------|-----------|
| 79 | 785-800 | 775-790 |
| 80 | 790-805 | 780-795 |
| 89 | 885-900 | 875-890 |
| 90 | 890-905 | 880-895 |
| 99 | 985-1000 | 975-990 |
| 100 | 990-1005 | 980-995 |
| 119 | 1185-1200 | 1175-1190 |
| 120 | 1190-1205 | 1180-1195 |

| G | V1 | L1 mm |
|-----|---------|---------|
| 80 | 773-788 | 780-795 |
| 90 | 873-888 | 880-895 |
| 100 | 973-988 | 980-995 |

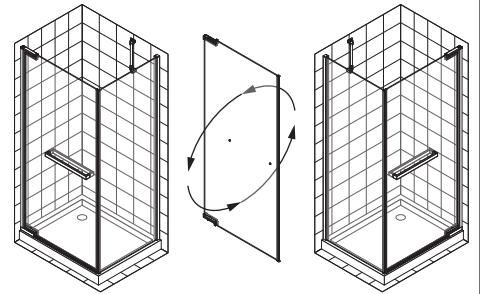
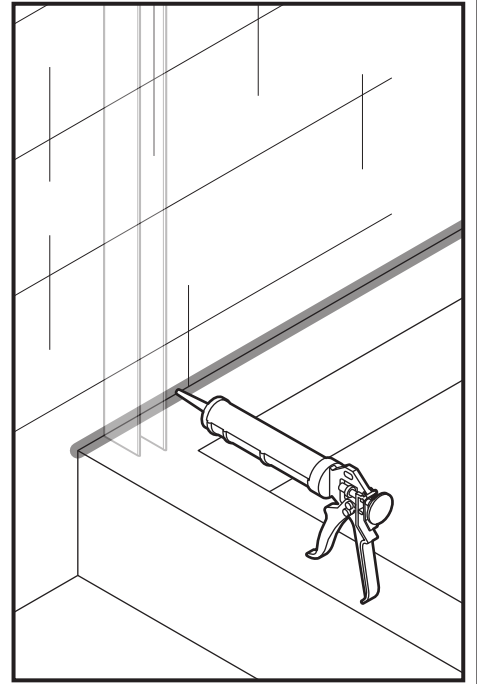
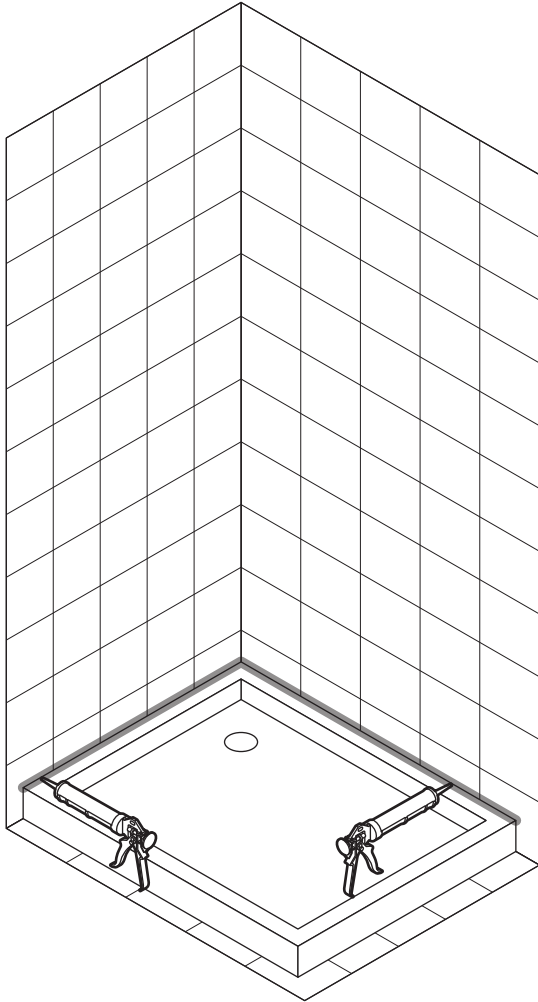
| FG | V2 | L2 mm |
|-----|-----------|-----------|
| 79 | 764-779 | 775-790 |
| 80 | 769-784 | 780-795 |
| 89 | 864-879 | 875-890 |
| 90 | 869-884 | 880-895 |
| 99 | 964-979 | 975-990 |
| 100 | 969-984 | 980-995 |
| 119 | 1164-1179 | 1175-1190 |
| 120 | 1169-1184 | 1180-1195 |



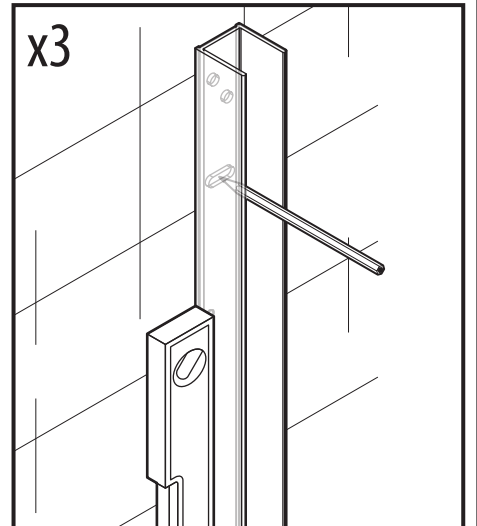
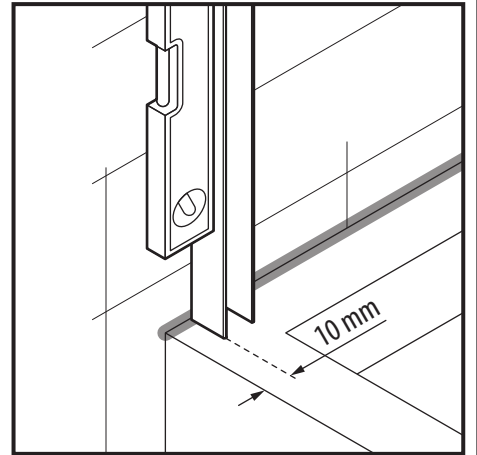
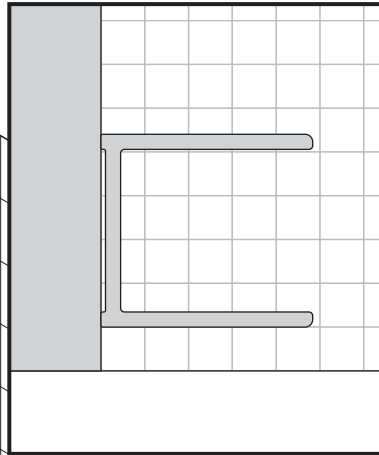
**CLEANIT
OR
WATER ONLY**

فقط الماء أو كلينيت

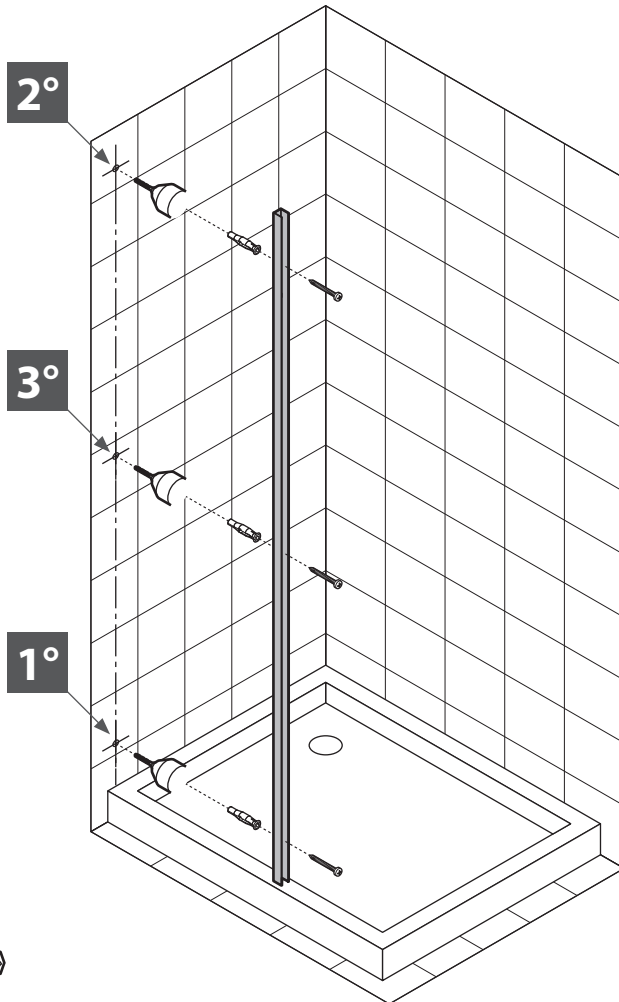
1



2



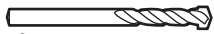
3



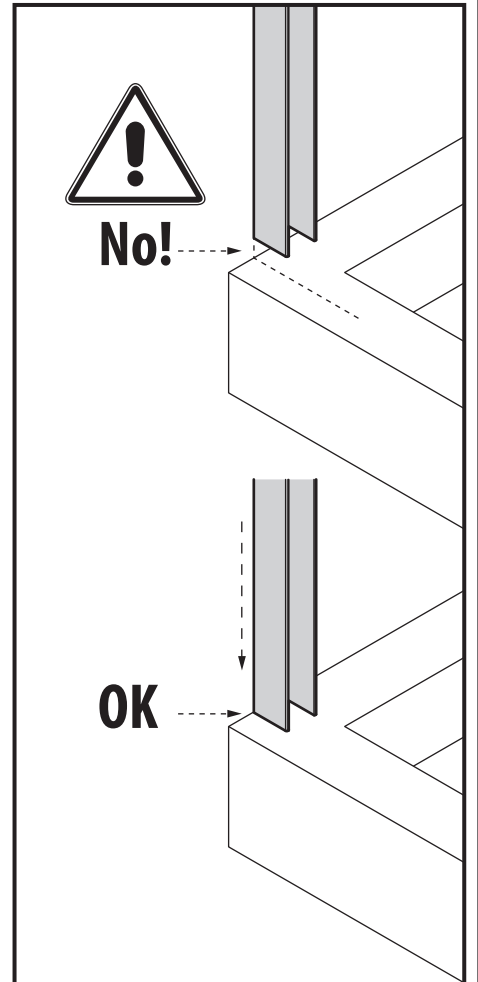
FU8x50 x3



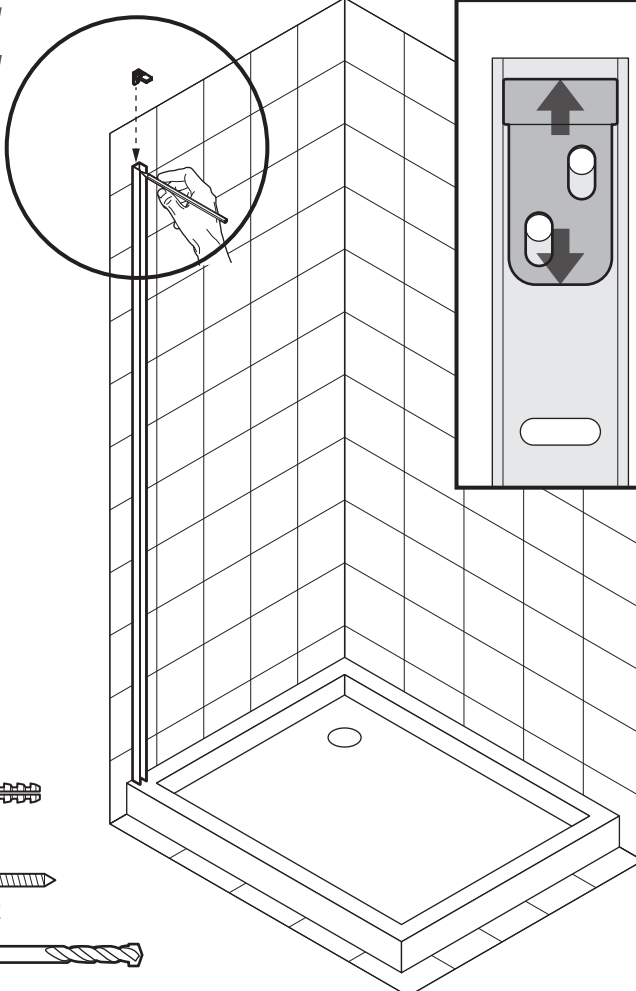
4,5x60 x3



ø8 mm



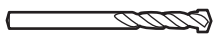
4



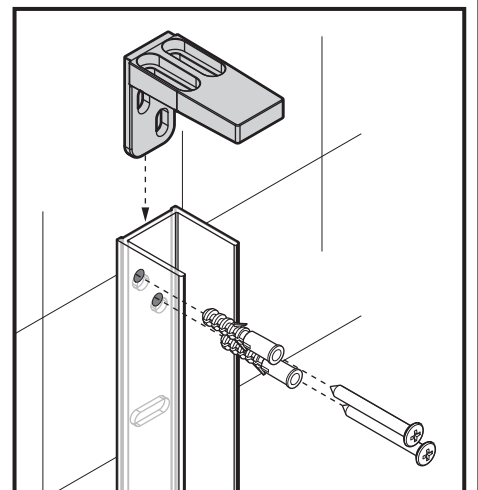
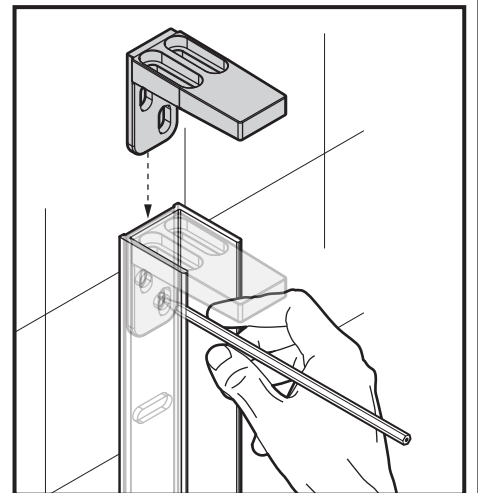
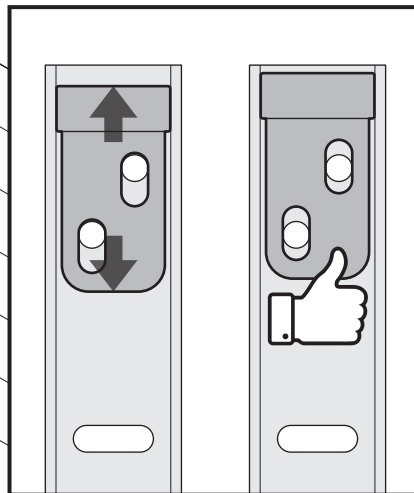
S6 x2



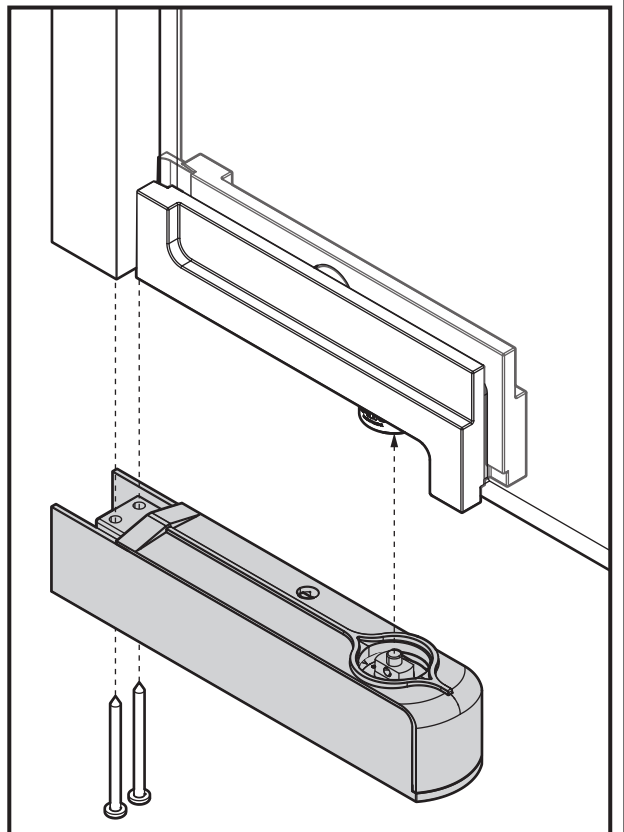
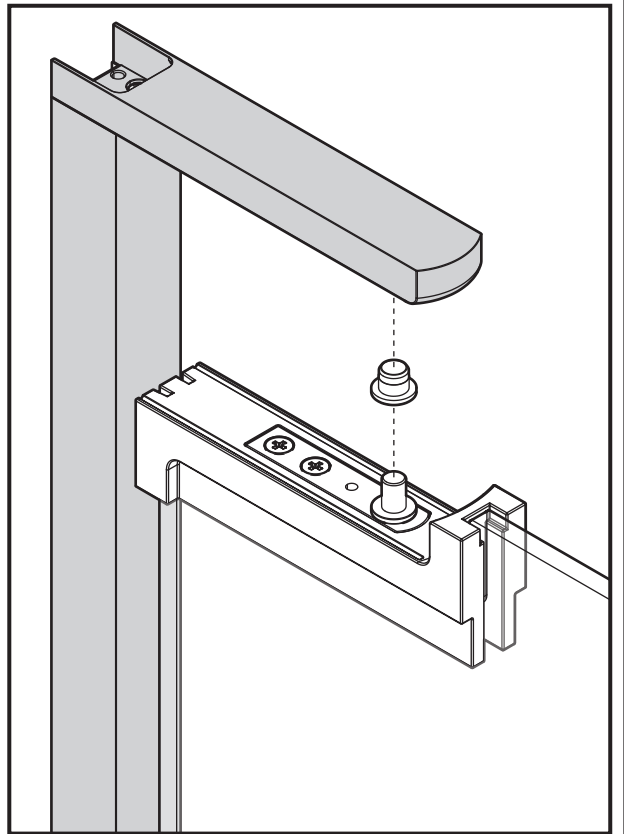
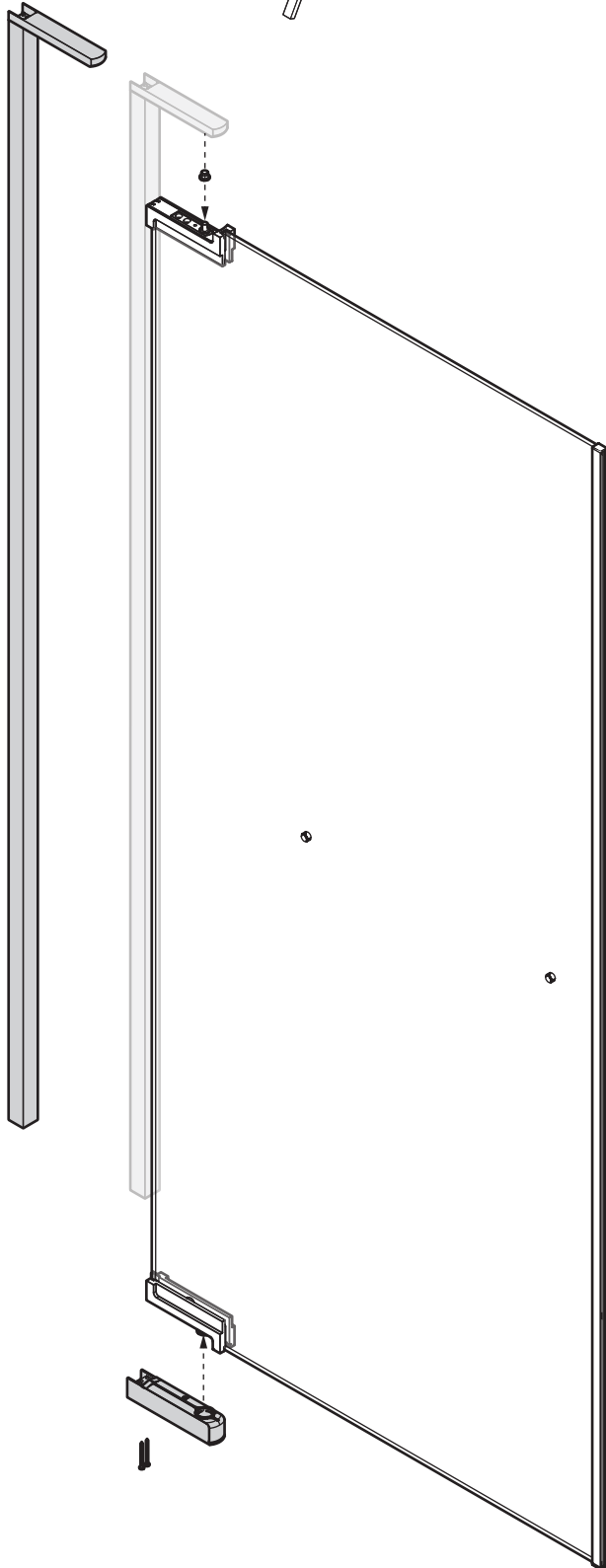
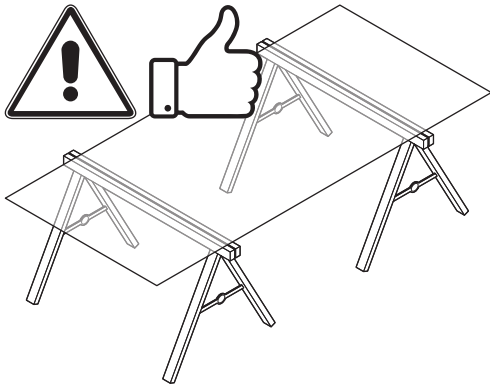
4x35 x2

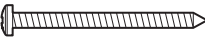


ø6 mm

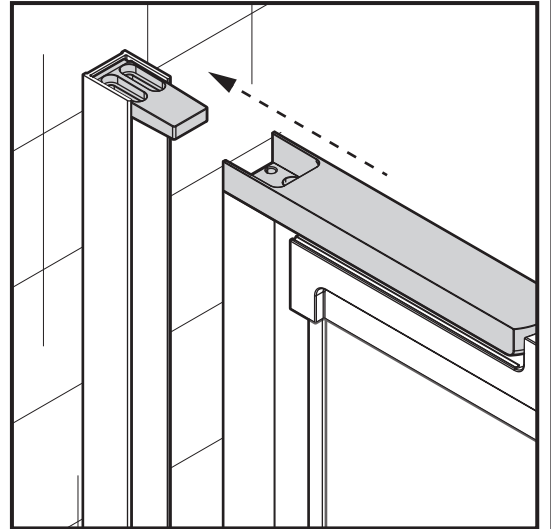
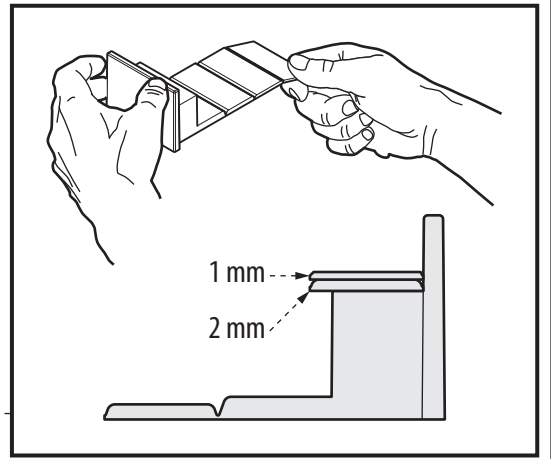
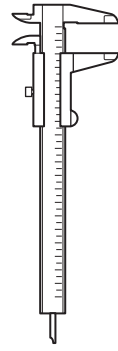
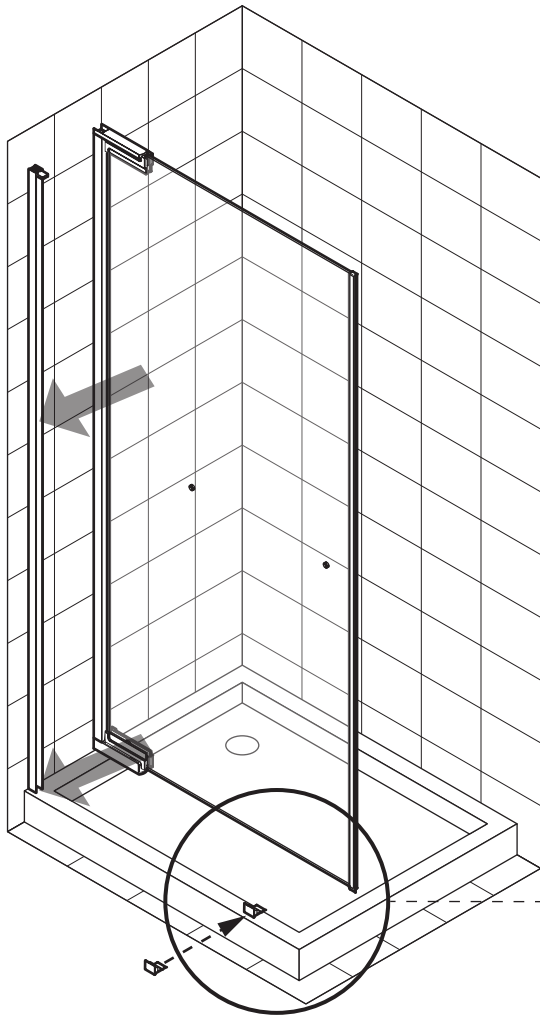


5

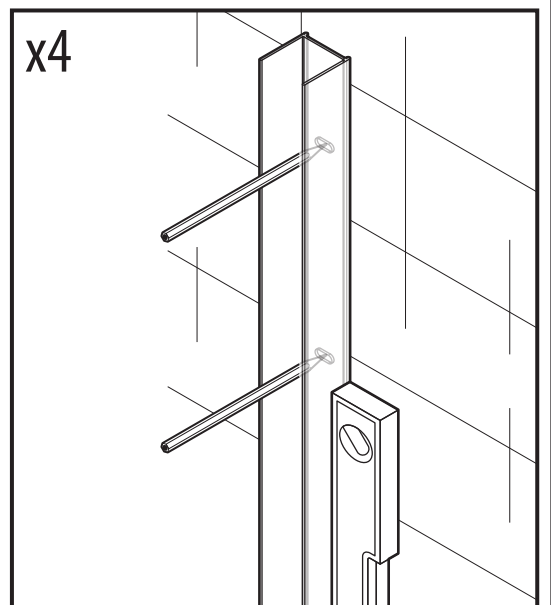
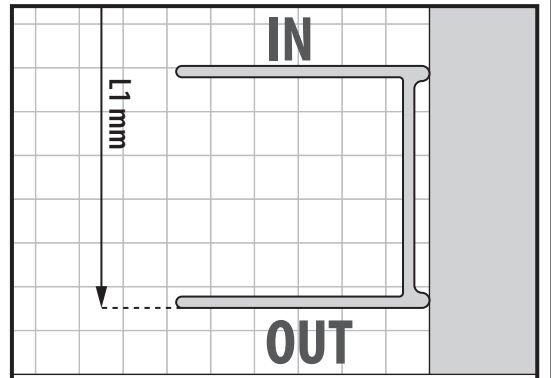
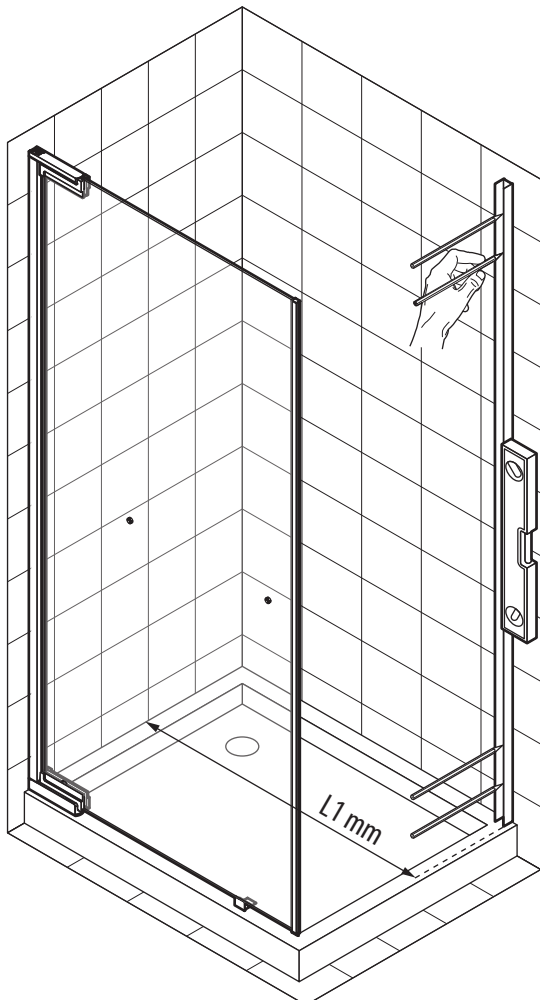



3,5x45 x2

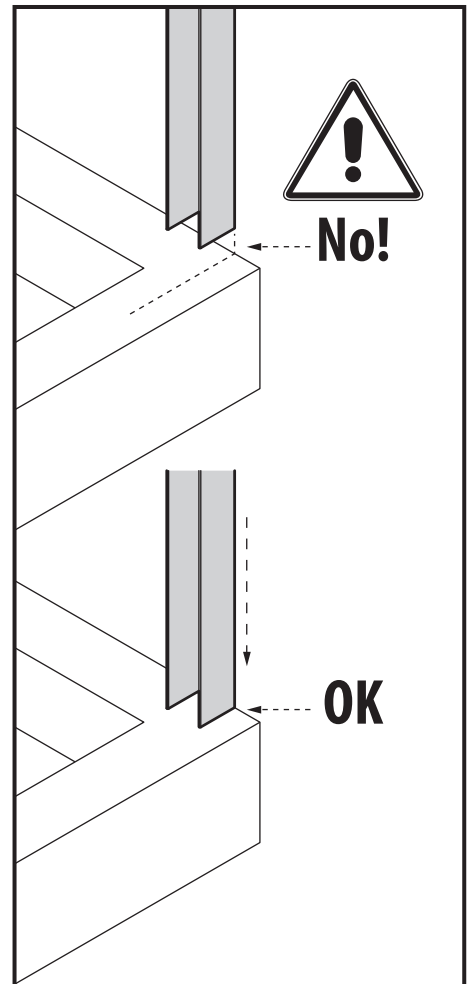
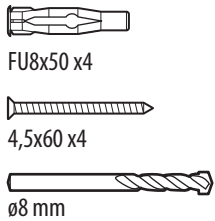
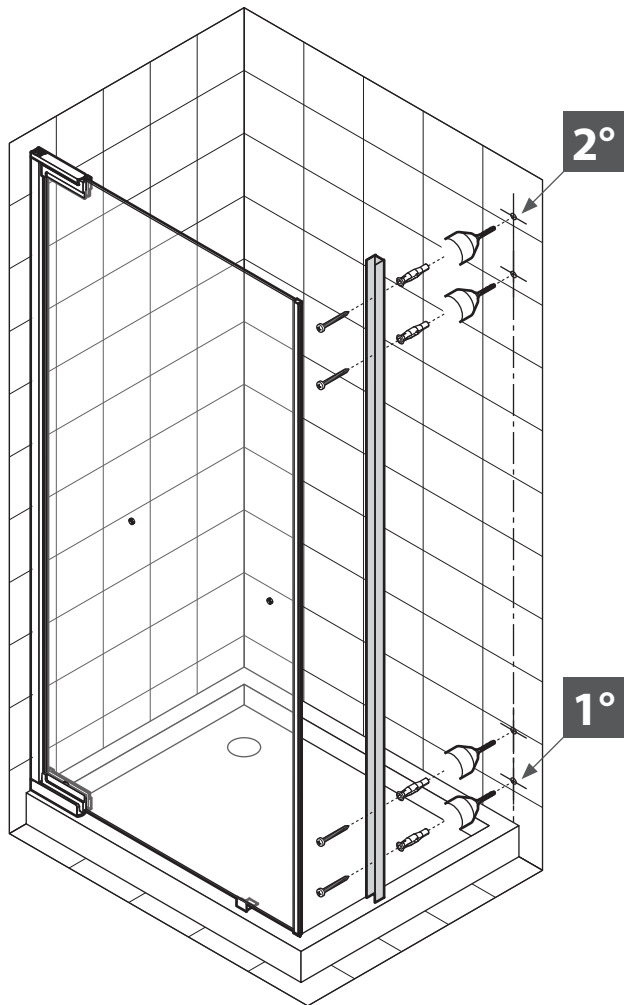
6



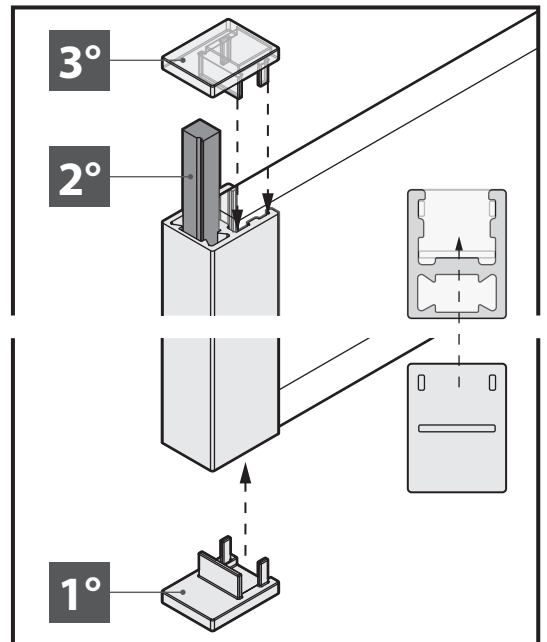
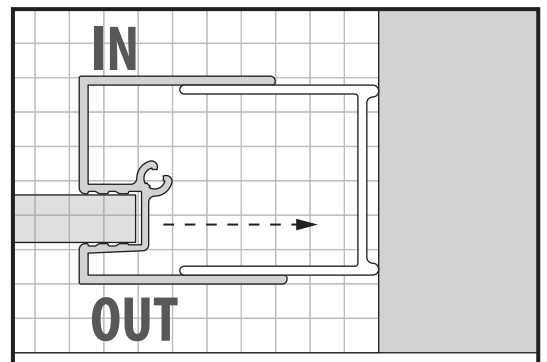
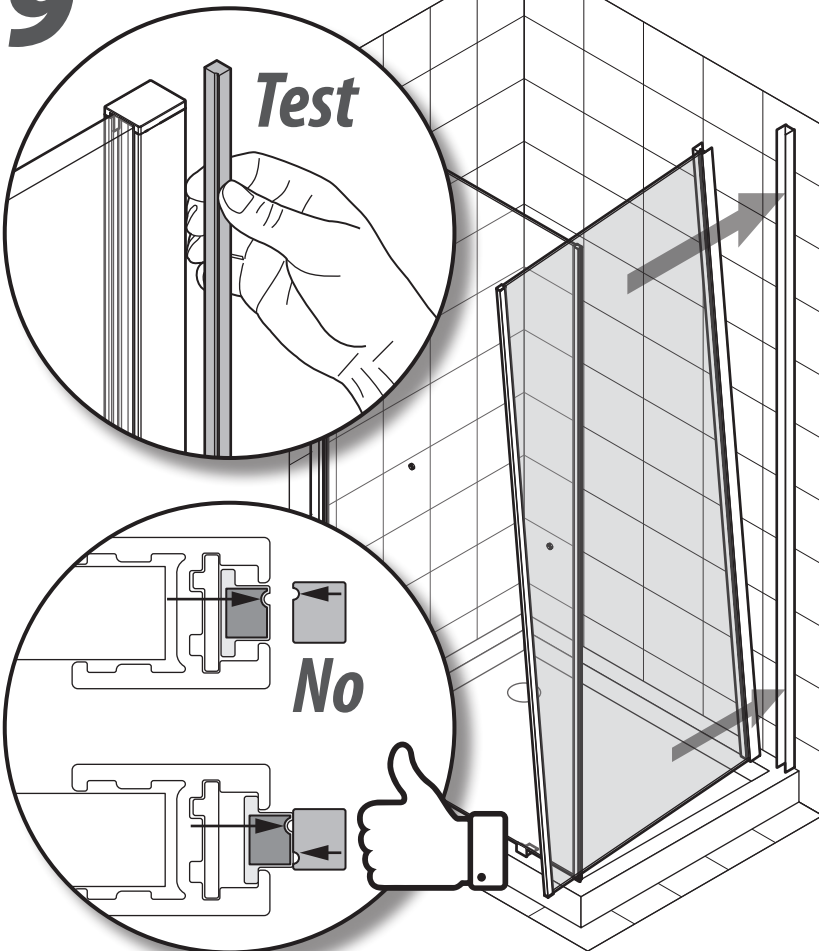
7



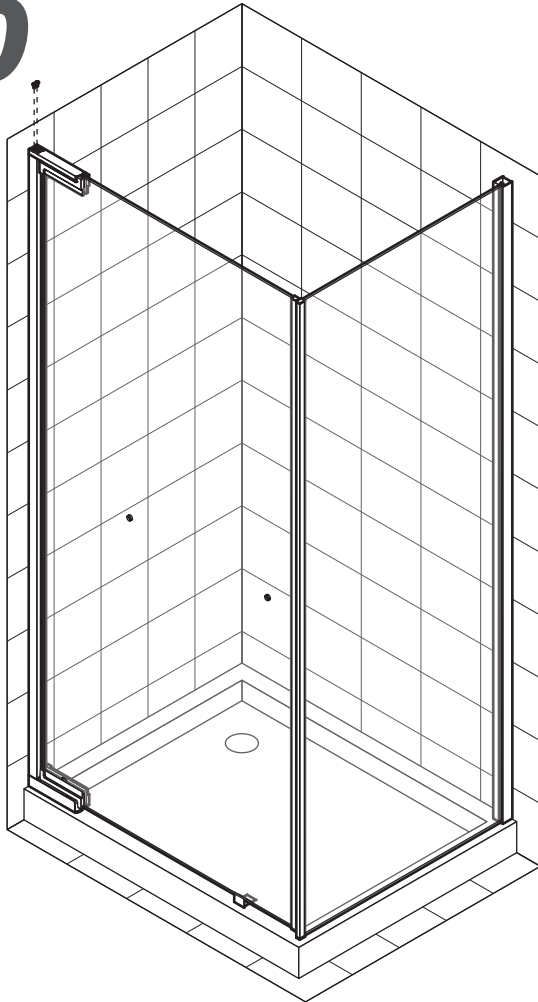
8



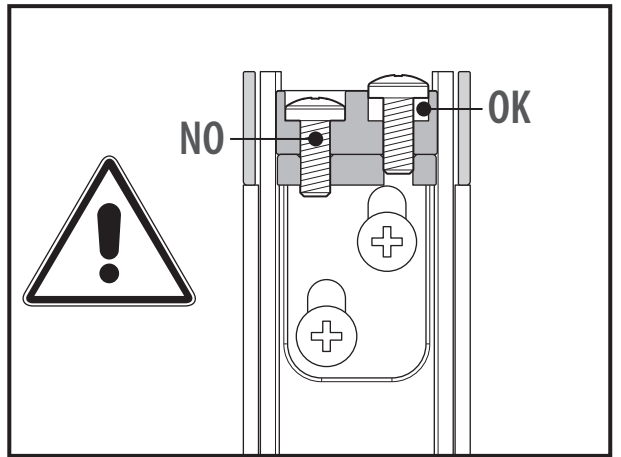
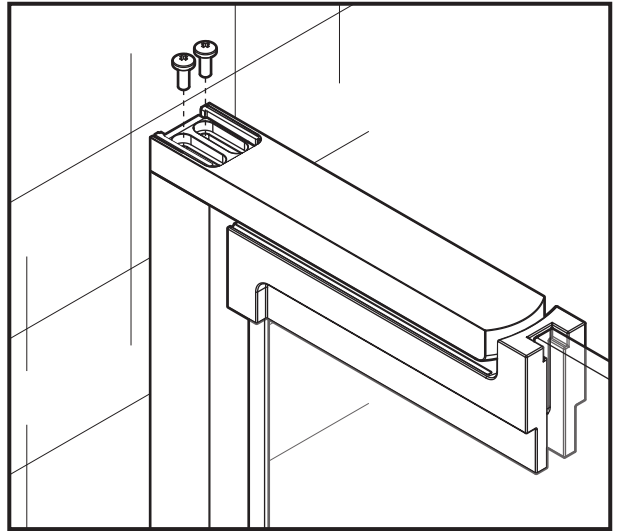
9



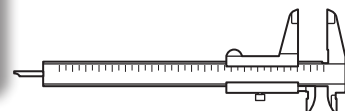
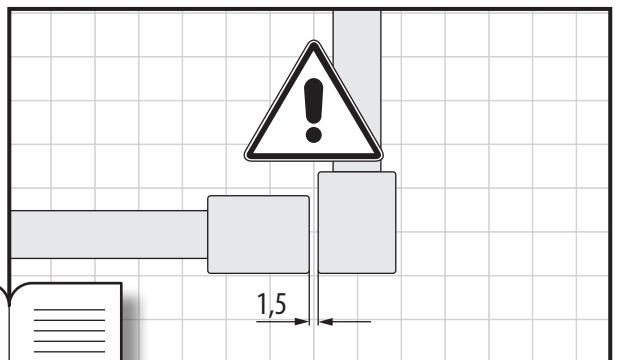
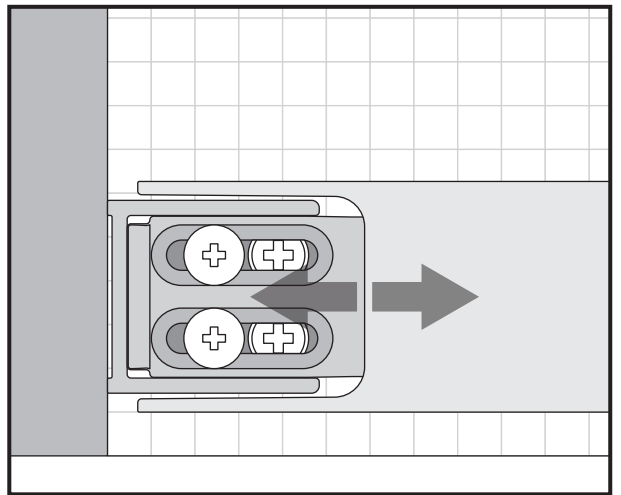
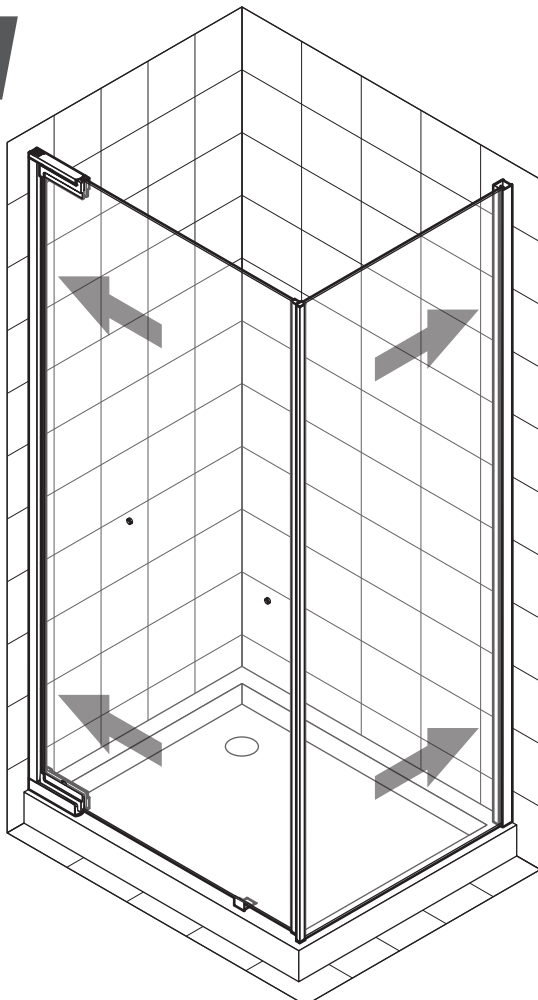
10



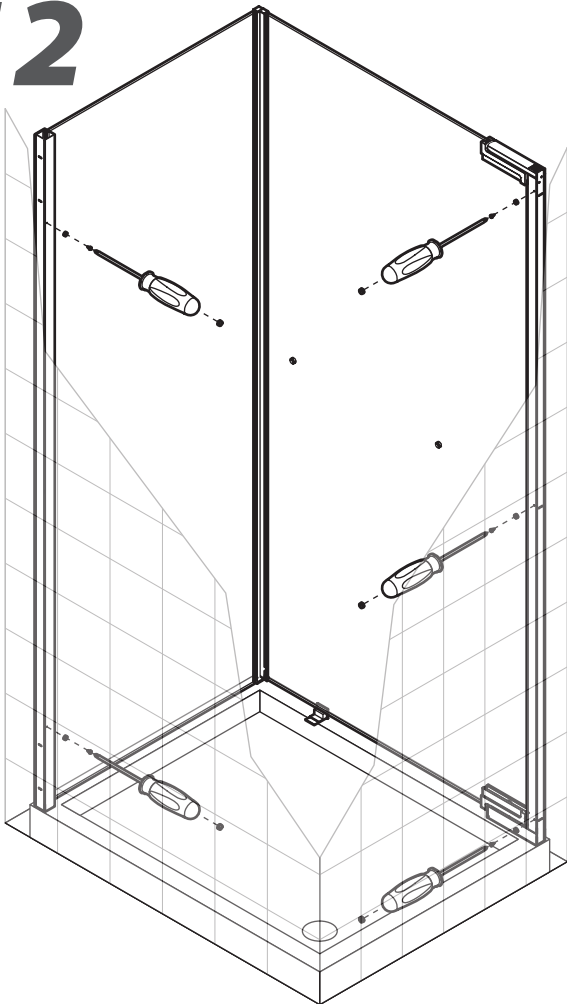

M4x10 x2



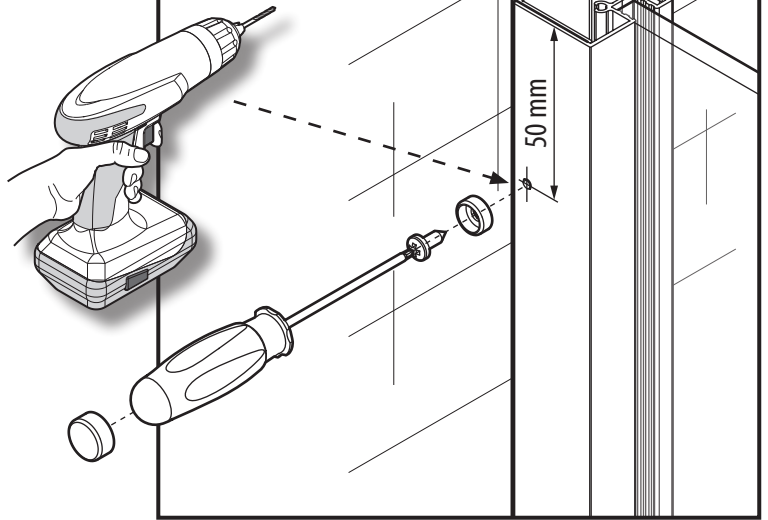
11



12



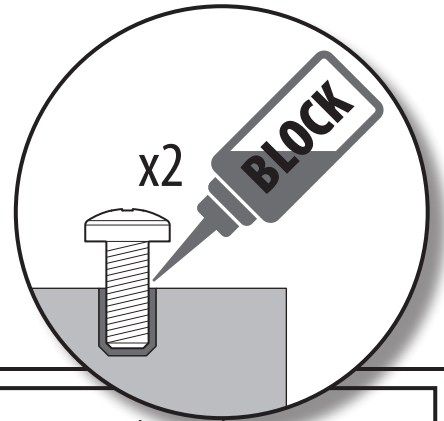
x5



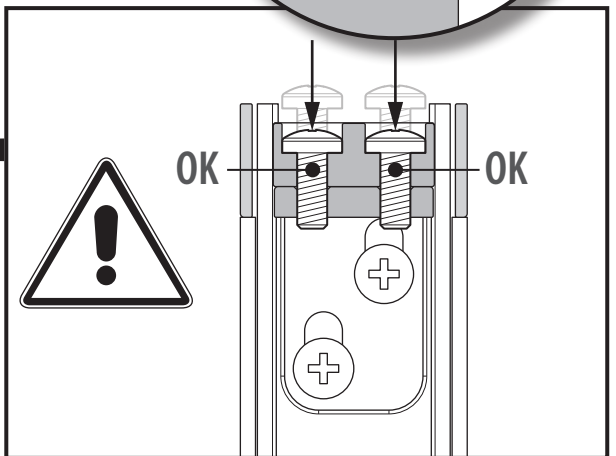
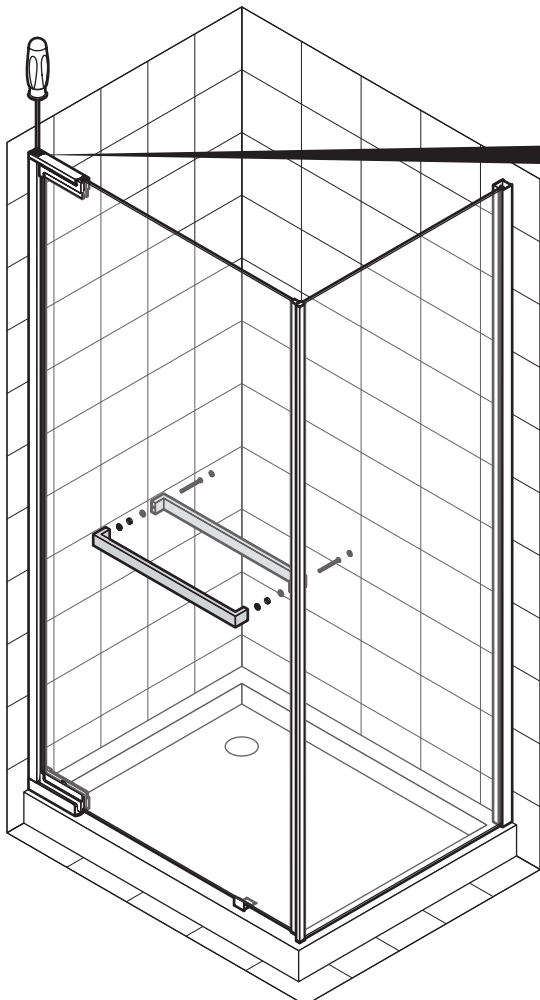
ø3 mm



3,5x9,5 x5



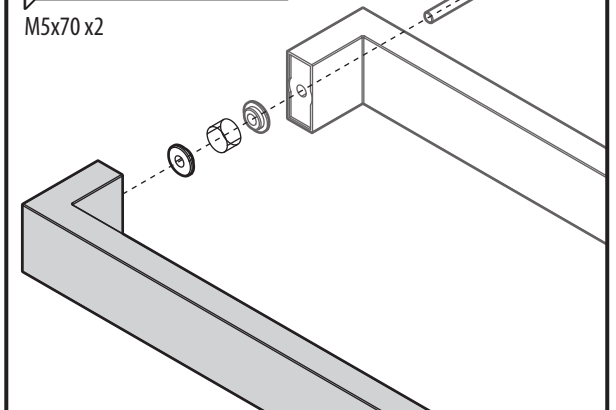
13



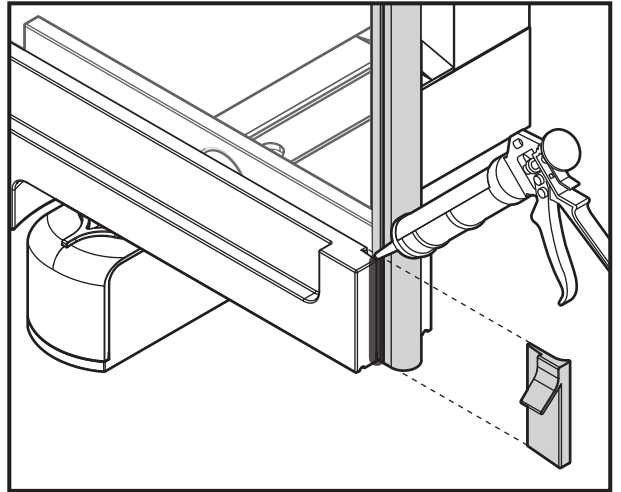
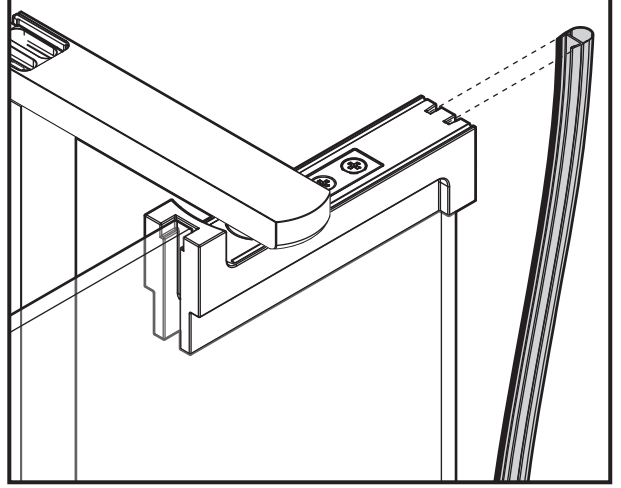
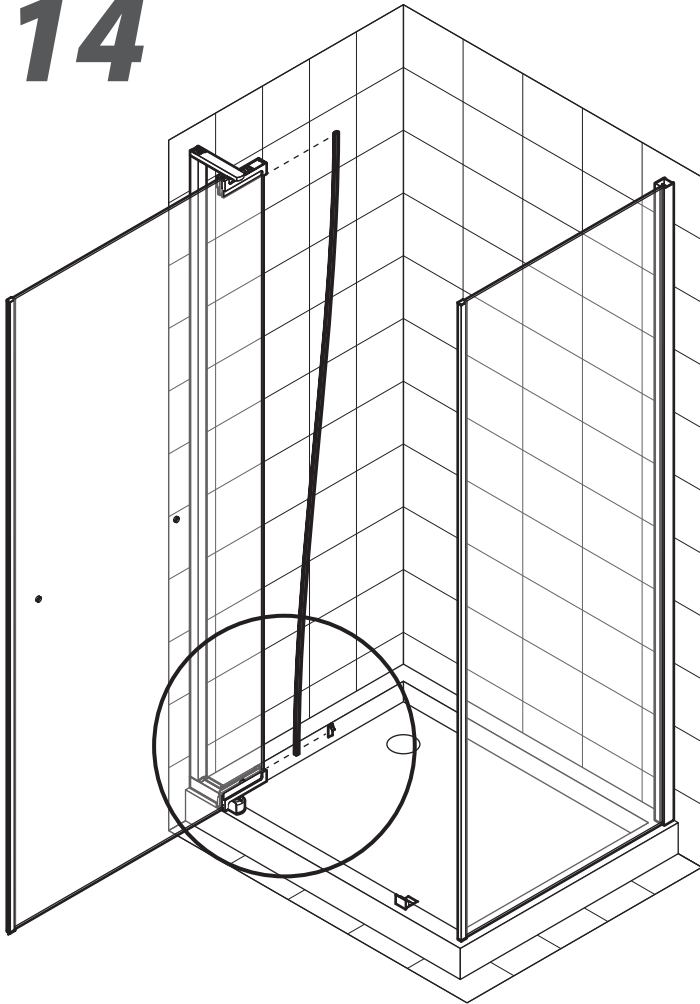
x2



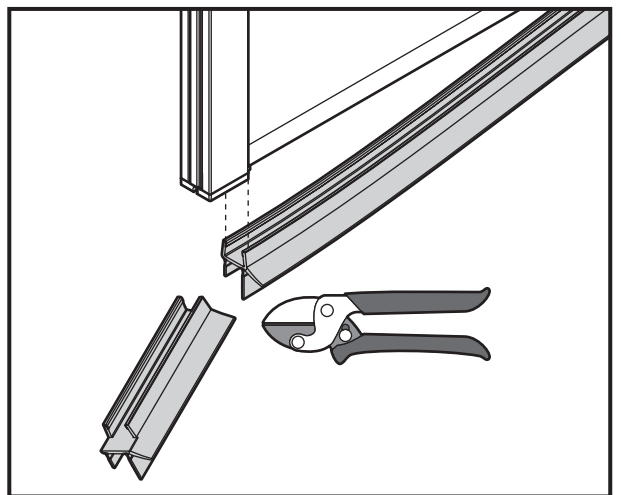
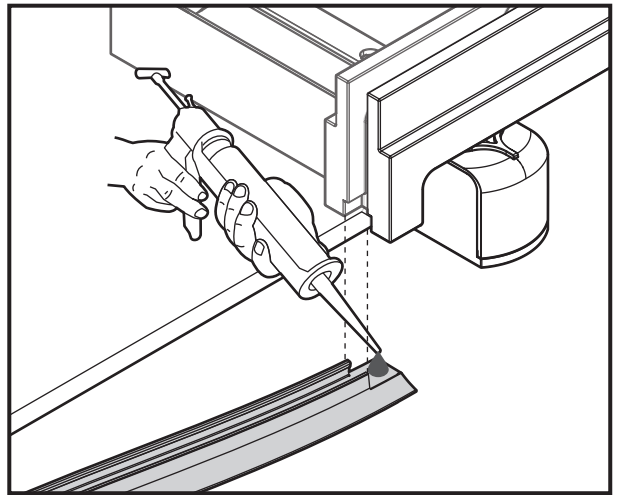
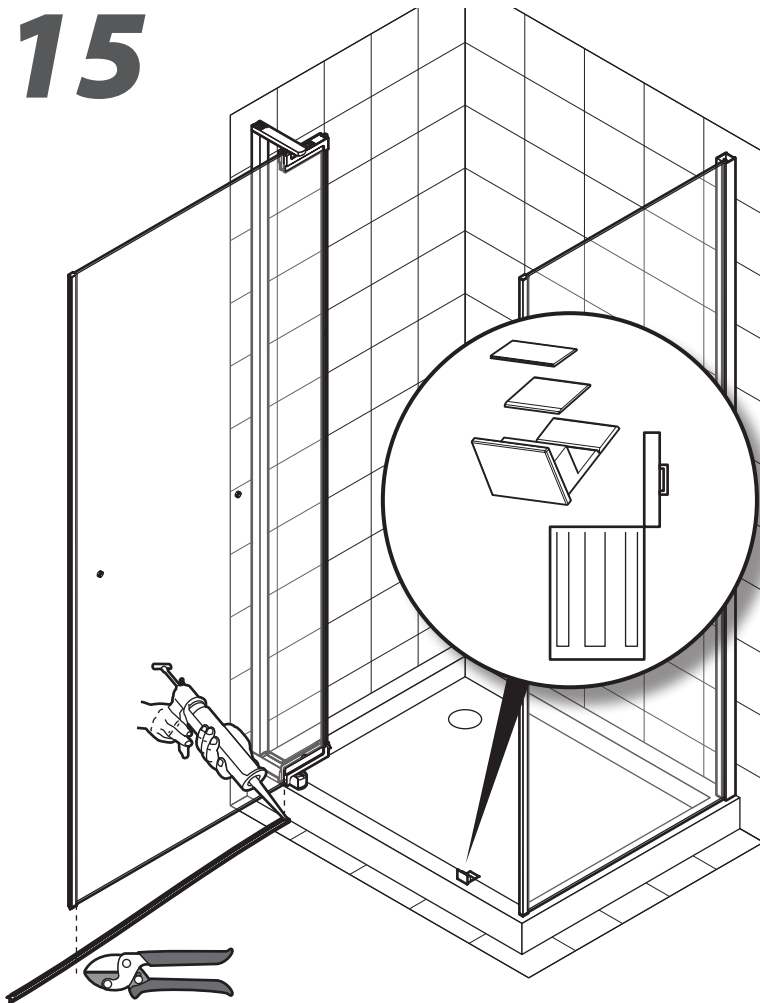
M5x70 x2



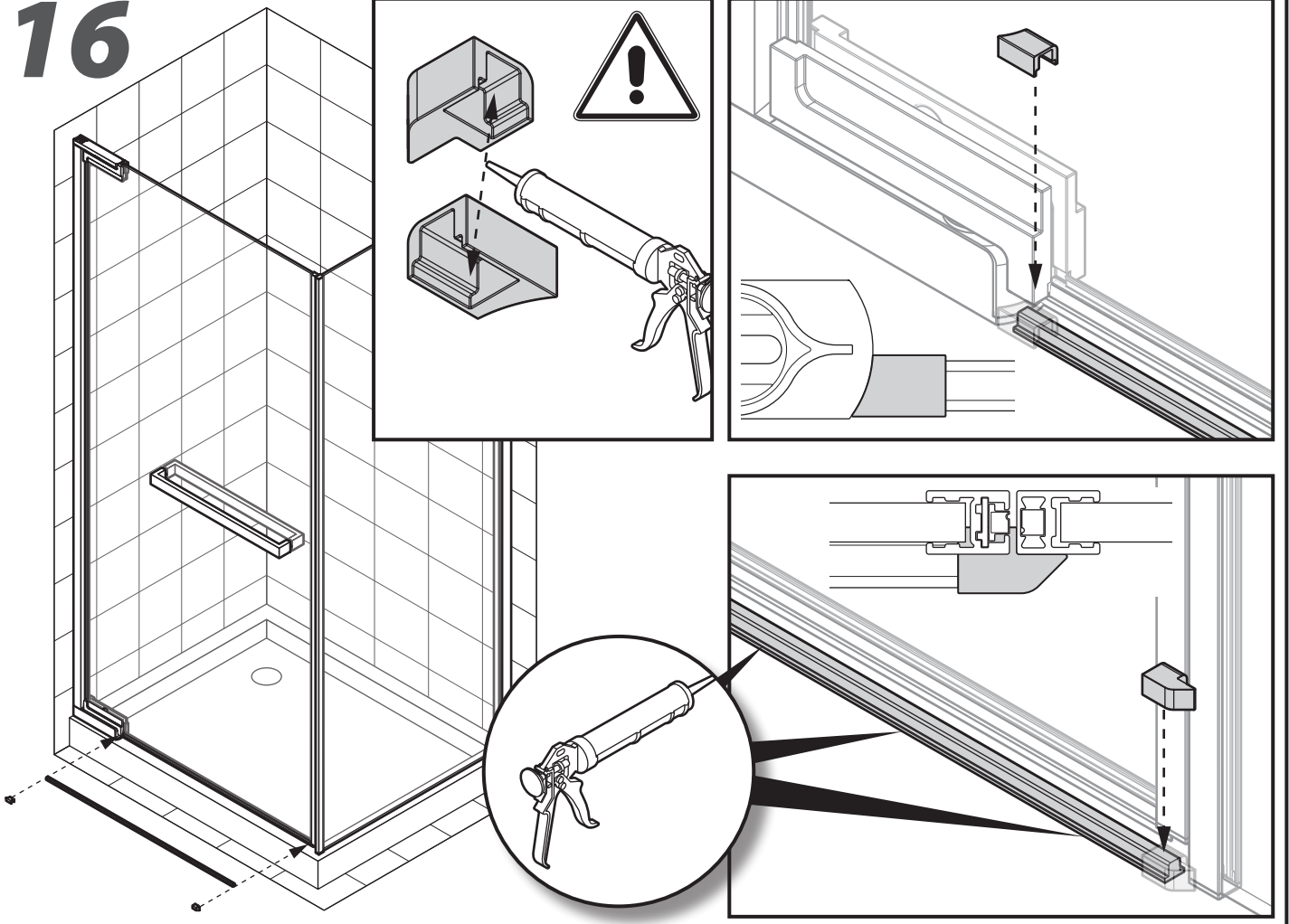
14



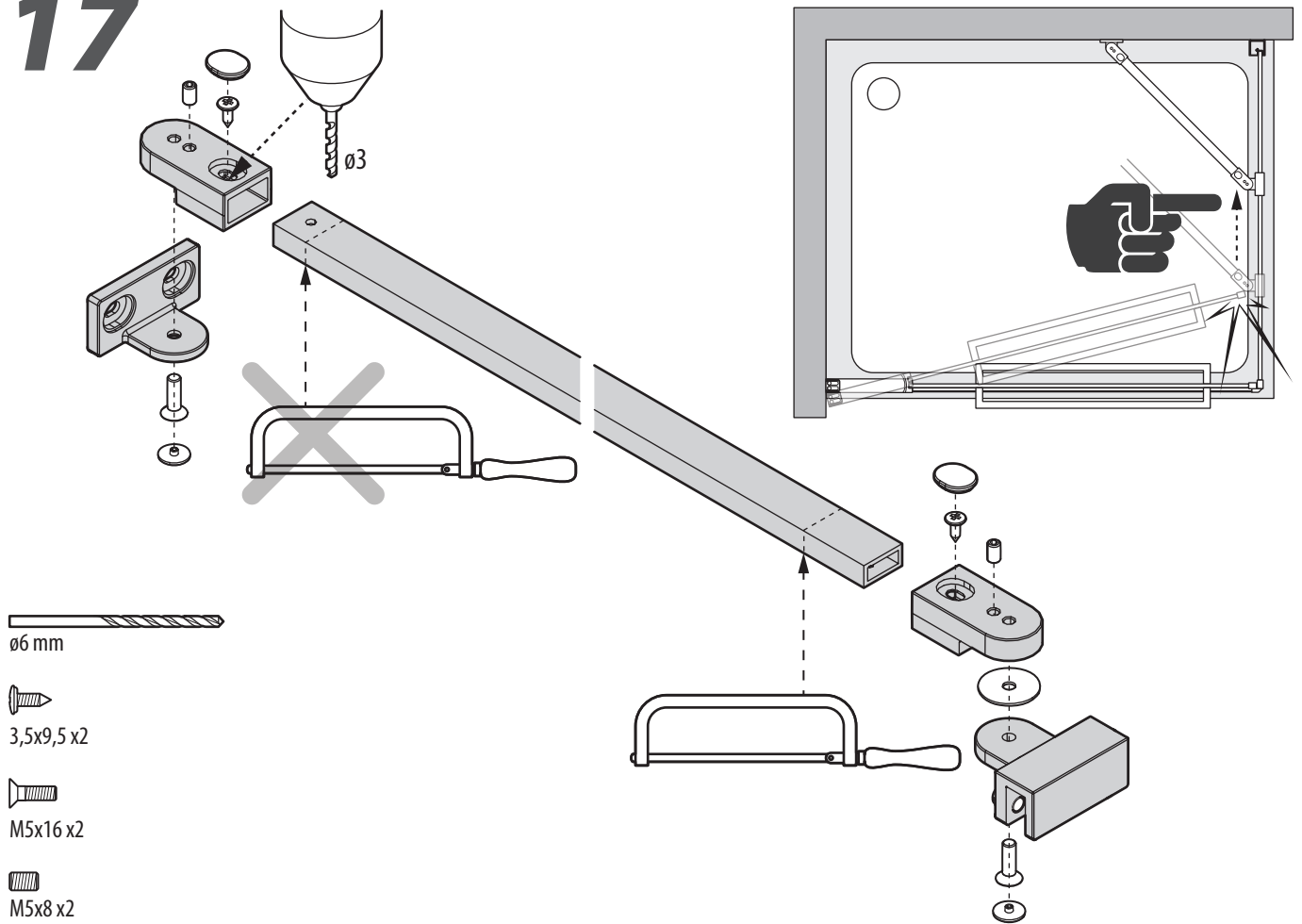
15



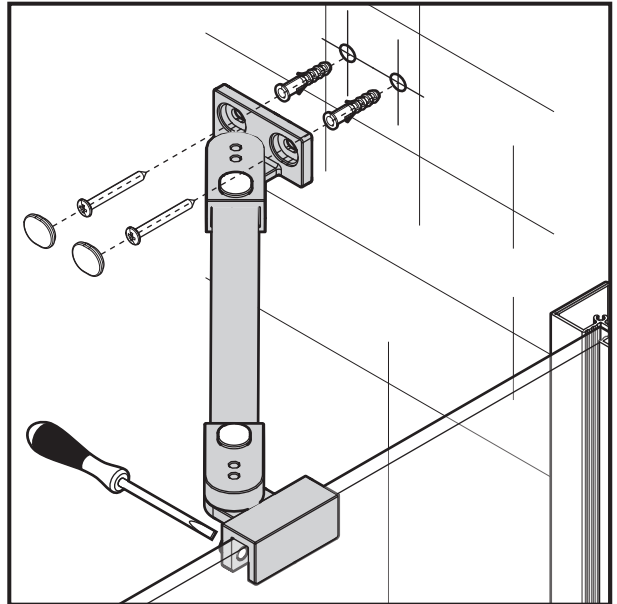
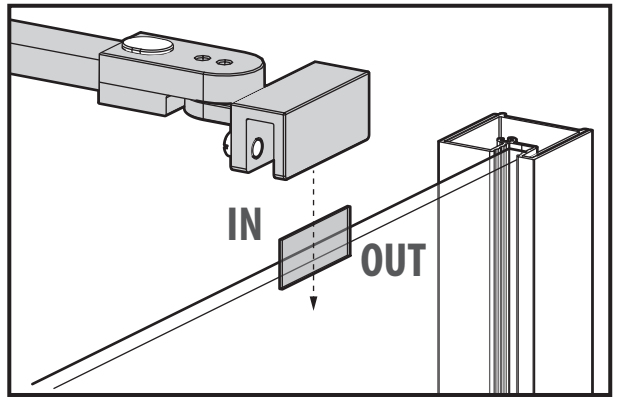
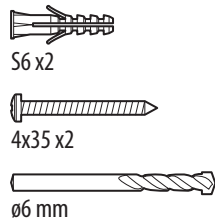
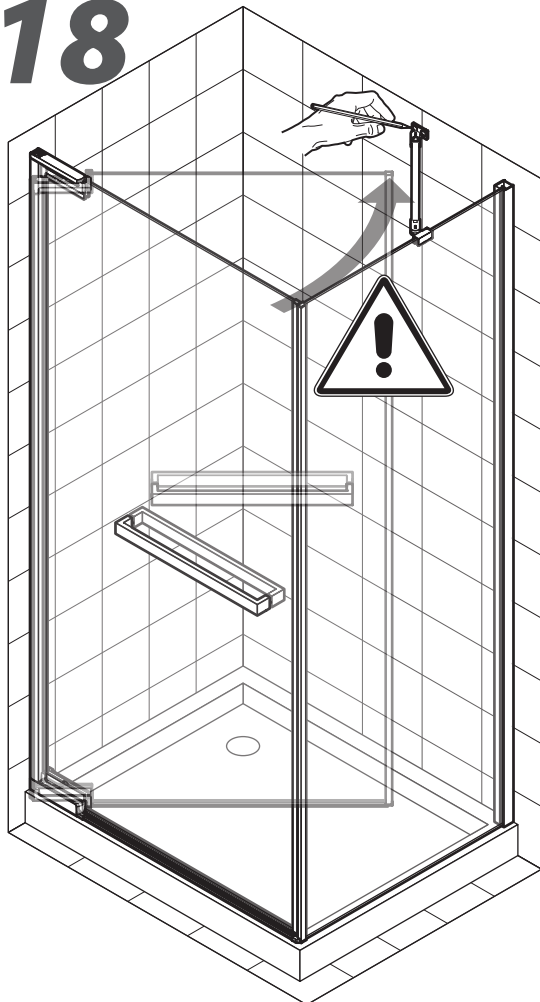
16



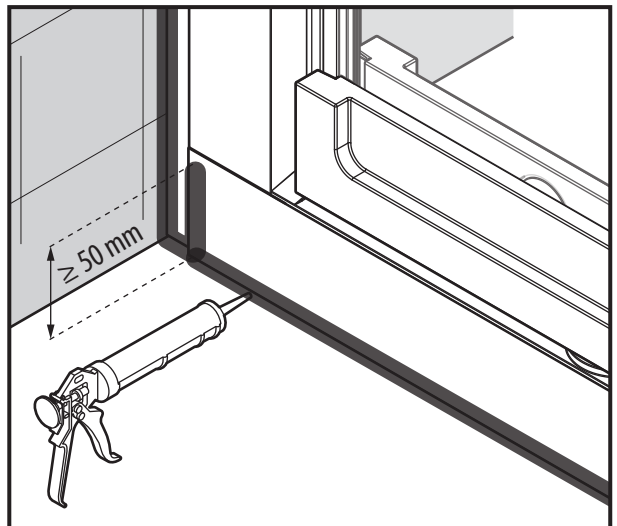
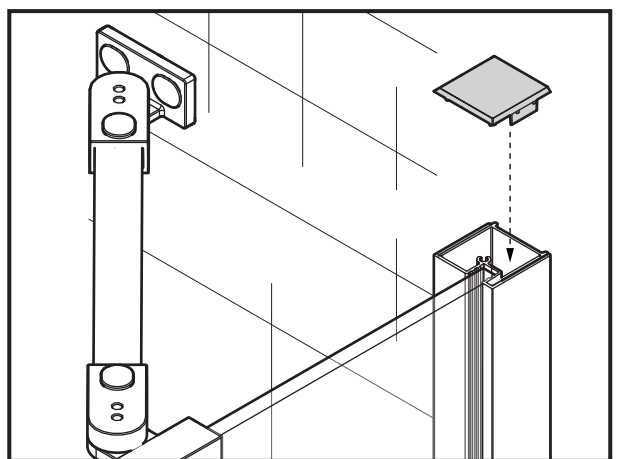
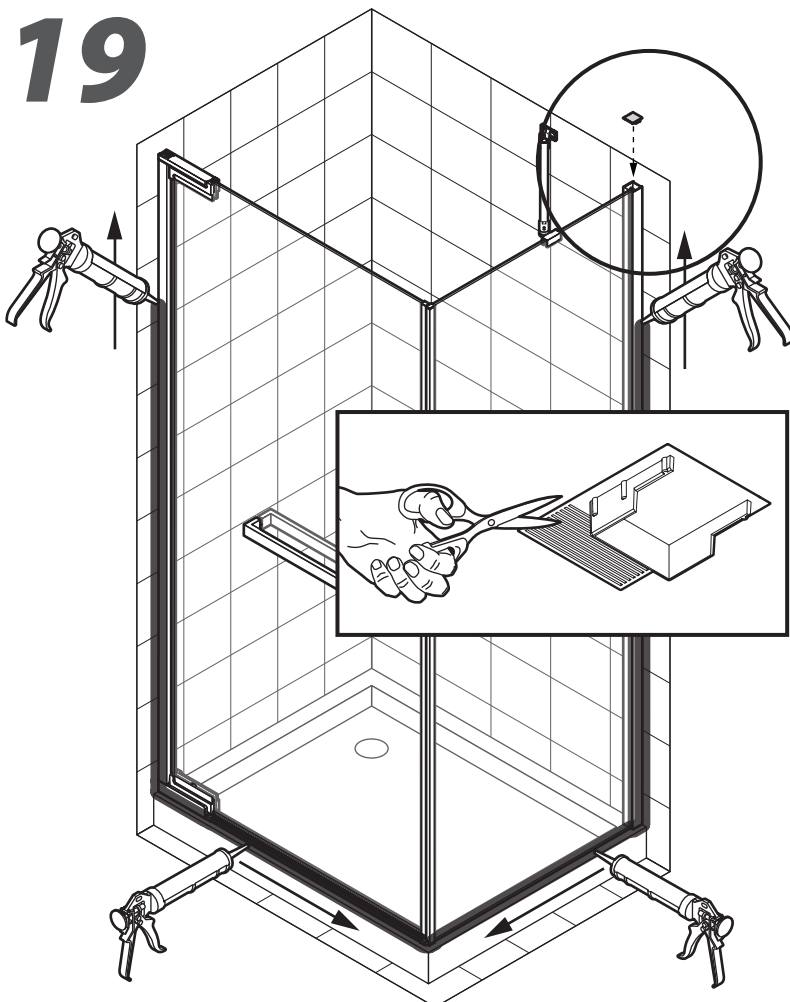
17



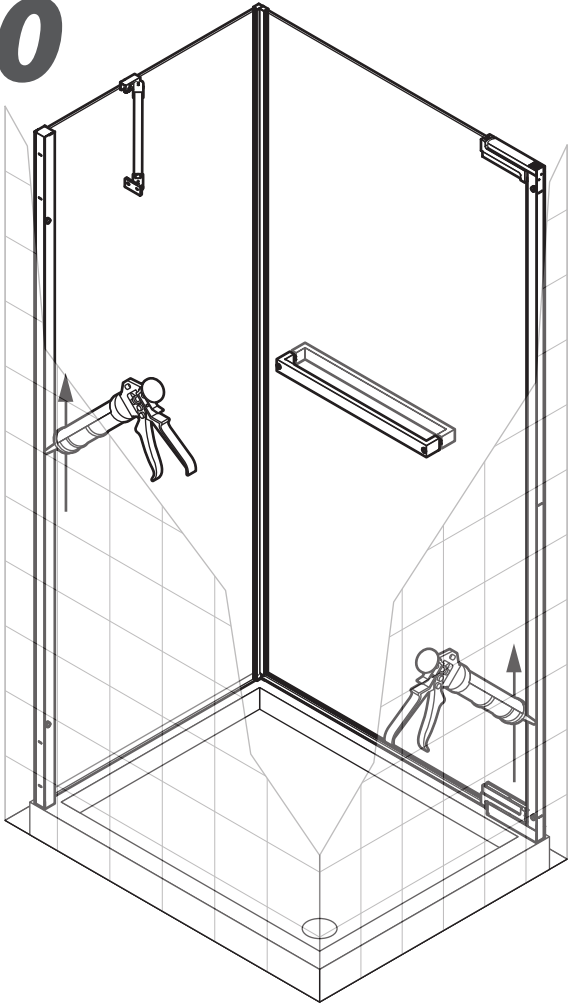
18



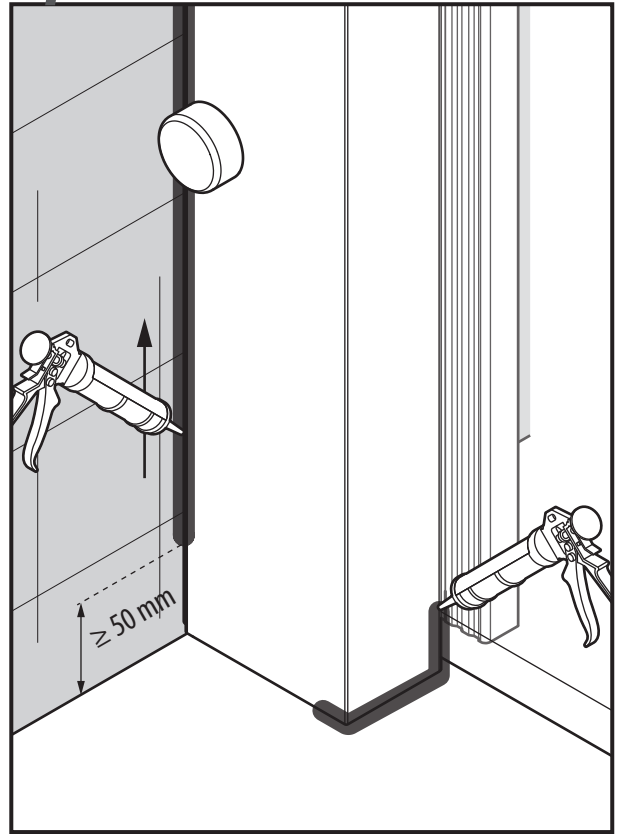
19



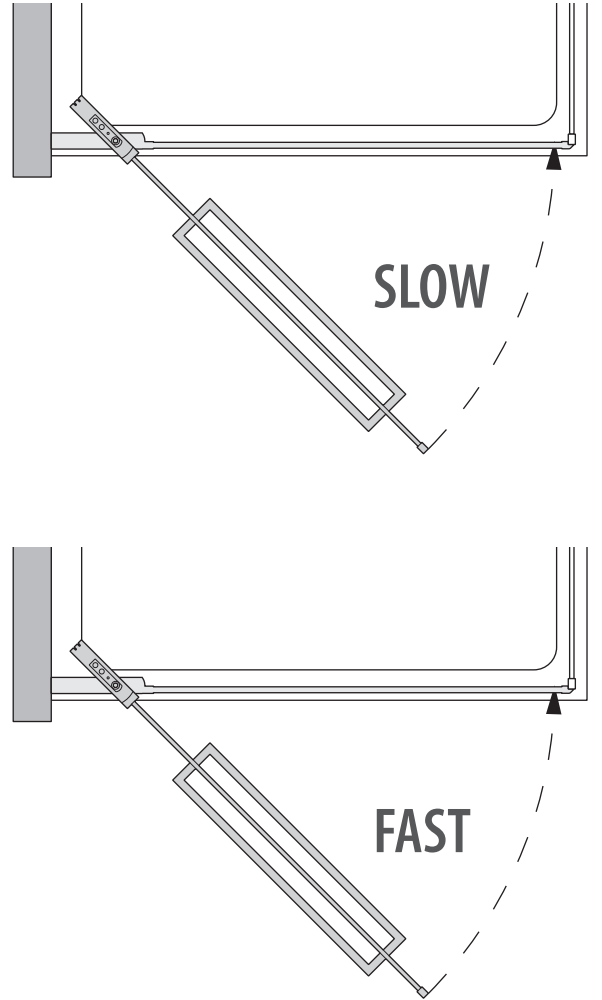
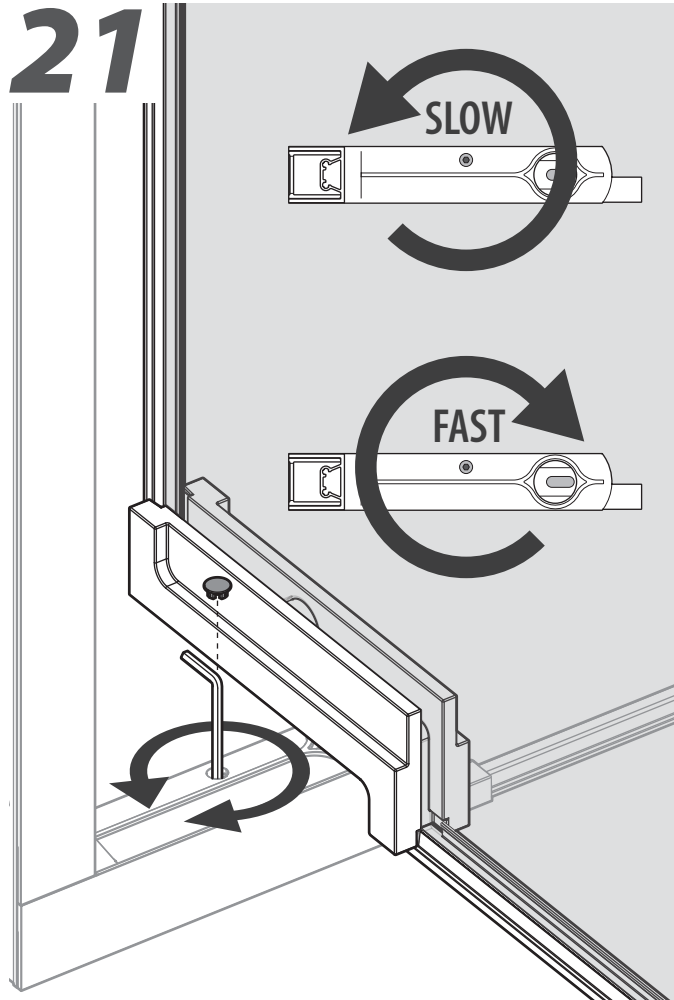
20

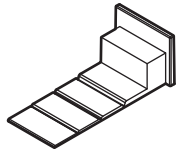
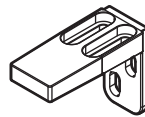
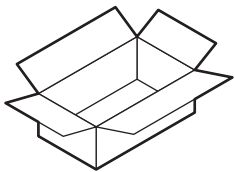
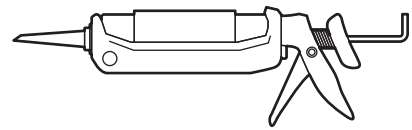
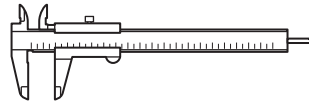
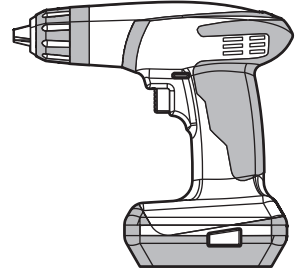
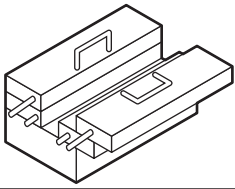


Optional



21





x1

x1

x1

x1

x1

x2

x1

x1



FU8x50 x7



x1



S6 x4



M4x10 x2



x7



4,5x60 x7



3,5x45 x2



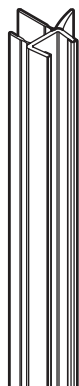
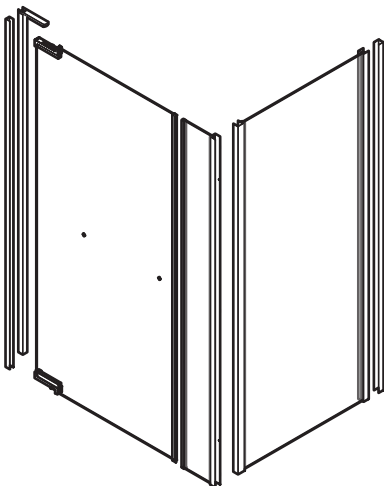
4x35 x4



3,5x9,5 x7



x7



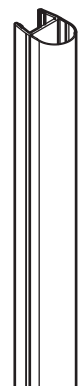
x1



x1



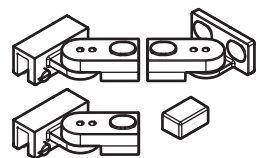
x1



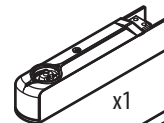
x1



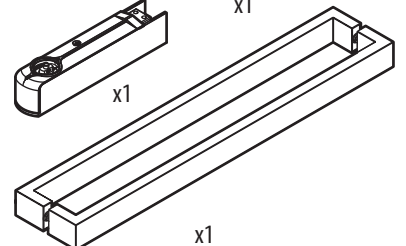
x2



x1



x1



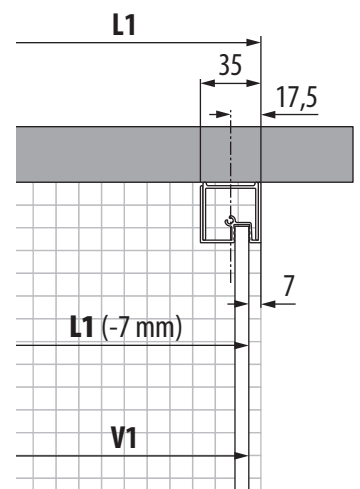
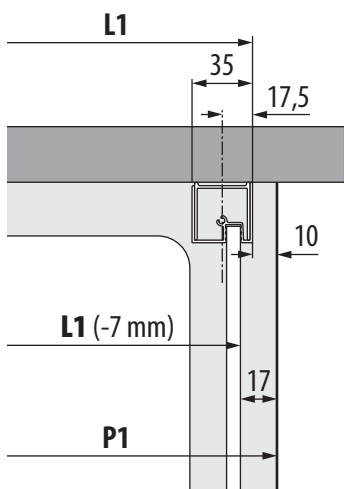
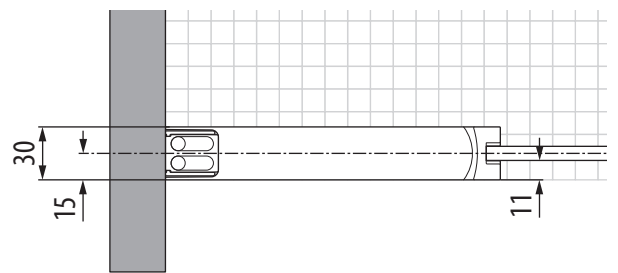
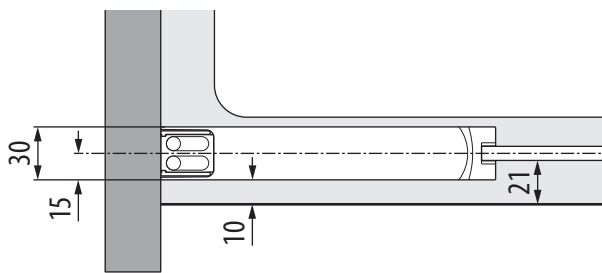
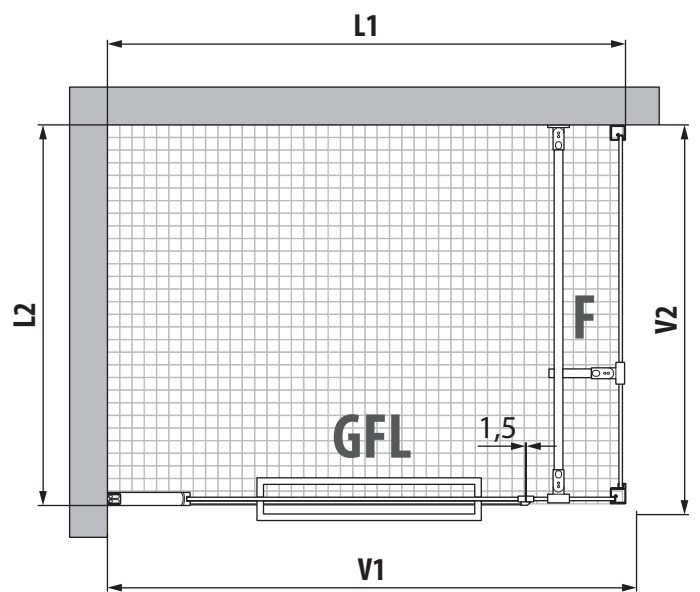
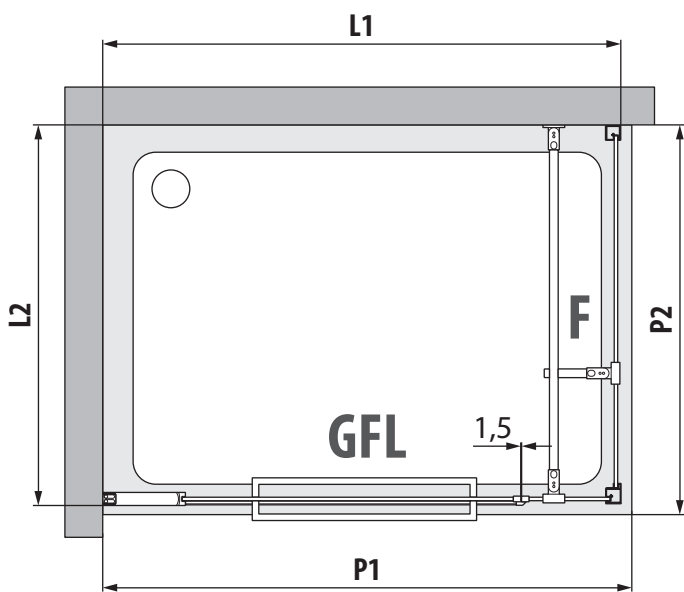
x1

| GFL | P1 | L1 mm |
|-----|-----------|-----------|
| 98 | 980-1010 | 970-1000 |
| 100 | 1000-1030 | 990-1020 |
| 118 | 1180-1210 | 1170-1200 |
| 120 | 1200-1230 | 1190-1220 |
| 138 | 1380-1410 | 1370-1400 |
| 140 | 1400-1430 | 1390-1420 |
| 158 | 1580-1610 | 1570-1600 |
| 160 | 1600-1630 | 1590-1620 |
| 178 | 1780-1810 | 1770-1800 |
| 180 | 1800-1830 | 1790-1820 |

| F | P2 | L2 mm |
|-----|-----------|-----------|
| 80 | 785-805 | 775-795 |
| 90 | 885-905 | 875-895 |
| 100 | 985-1005 | 975-995 |
| 120 | 1185-1205 | 1175-1195 |

| GFL | V1 | L1 mm |
|-----|-----------|-----------|
| 98 | 959-989 | 970-1000 |
| 100 | 979-1009 | 990-1020 |
| 118 | 1159-1189 | 1170-1200 |
| 120 | 1179-1209 | 1190-1220 |
| 138 | 1359-1389 | 1370-1400 |
| 140 | 1379-1409 | 1390-1420 |
| 158 | 1559-1589 | 1570-1600 |
| 160 | 1579-1609 | 1590-1620 |
| 178 | 1759-1789 | 1770-1800 |
| 180 | 1779-1809 | 1790-1820 |

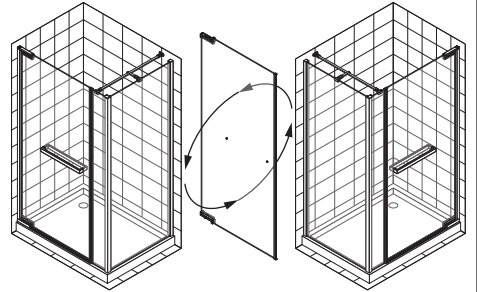
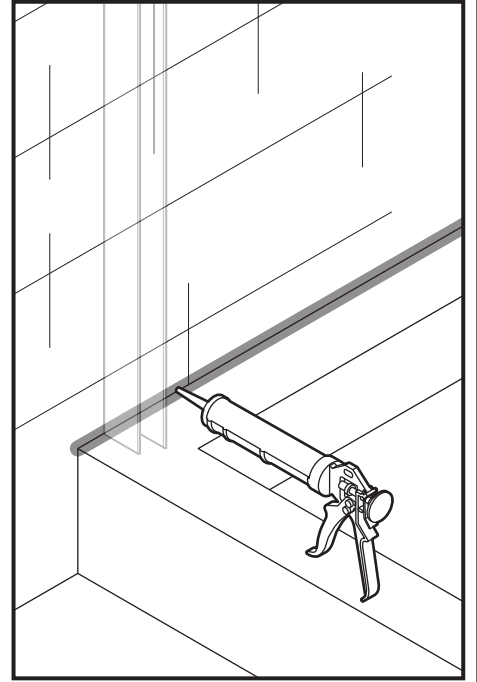
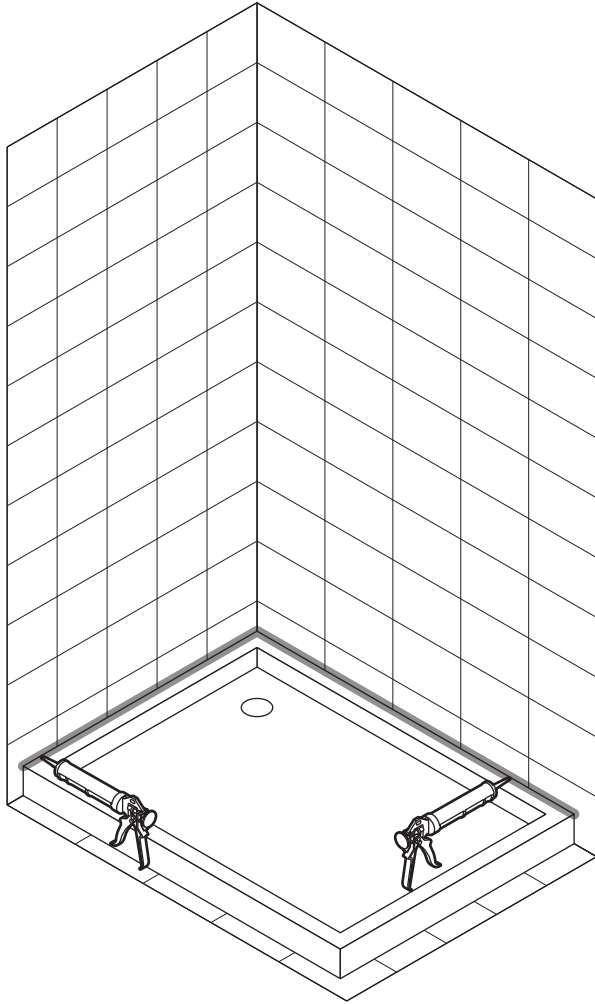
| F | V2 | L2 mm |
|-----|-----------|-----------|
| 80 | 764-784 | 775-795 |
| 90 | 864-884 | 875-895 |
| 100 | 964-984 | 975-995 |
| 120 | 1164-1184 | 1175-1195 |



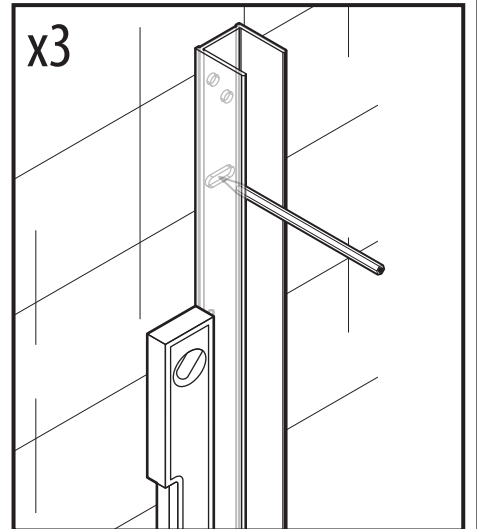
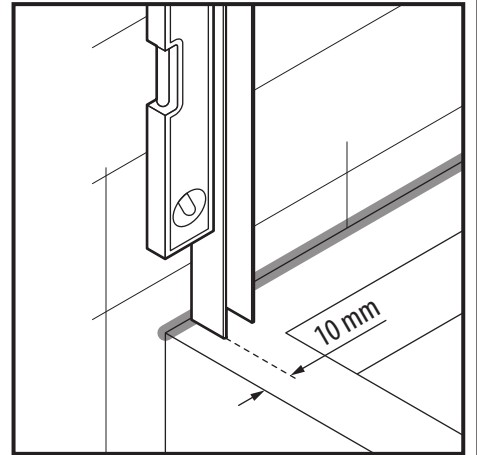
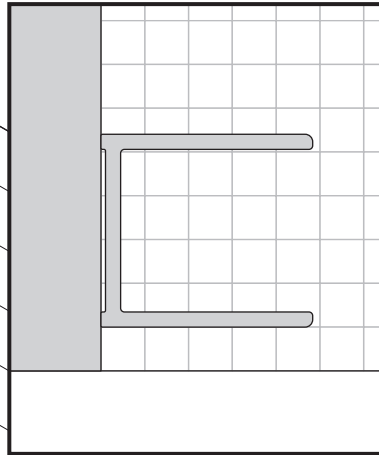
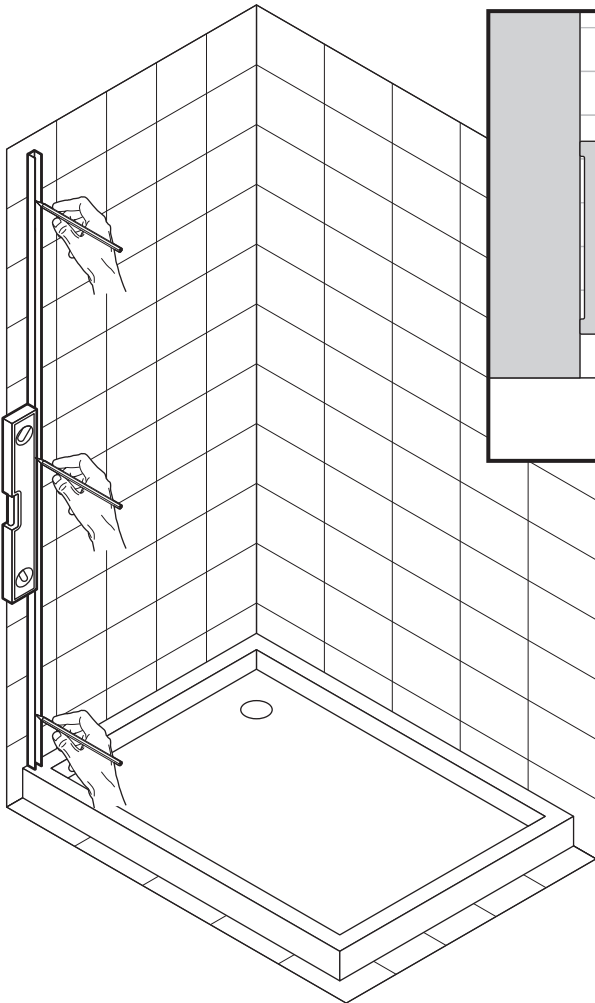
CLEANIT OR WATER ONLY

فقط الماء أو كلينيت

1

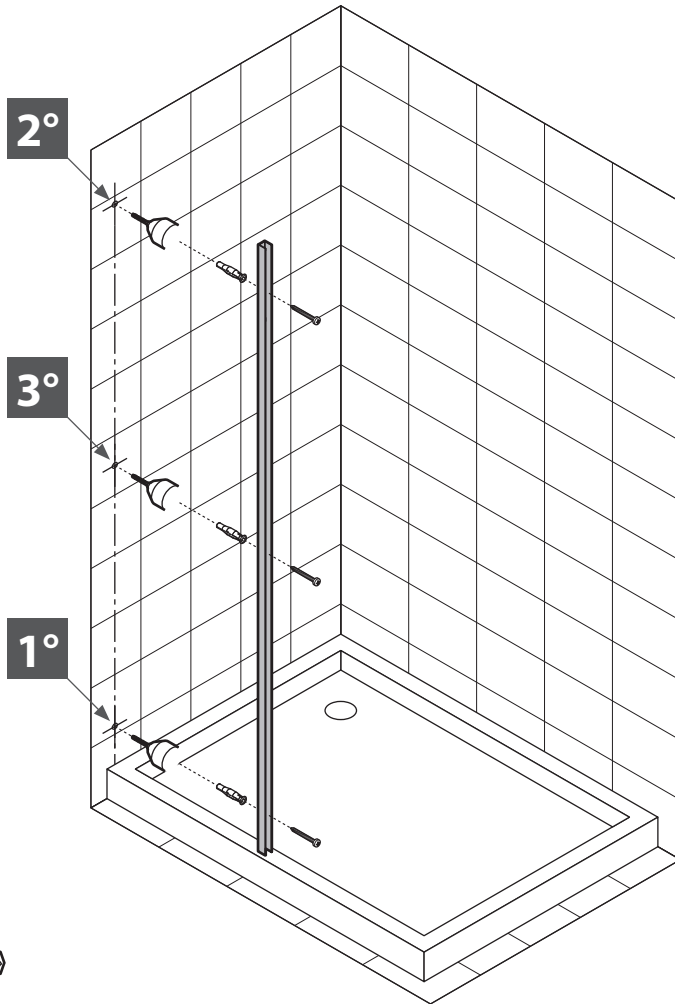


2



x3

3



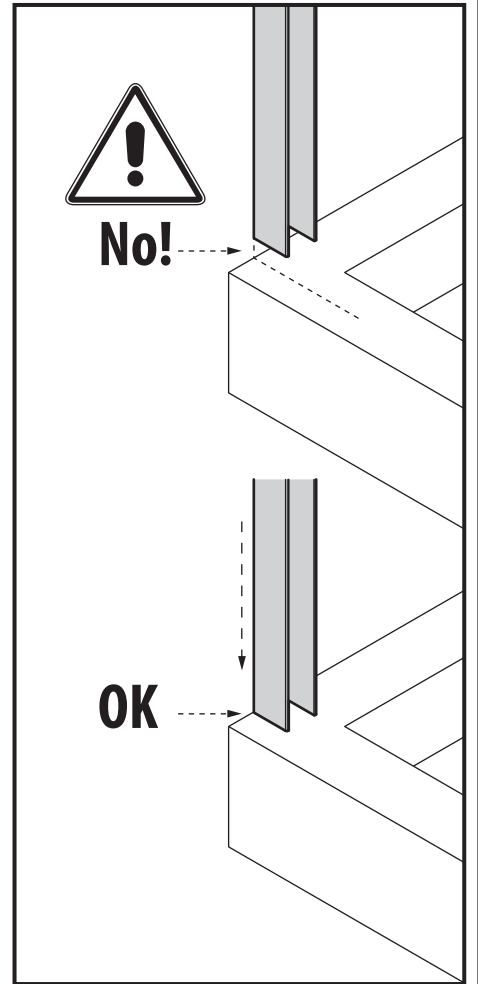
FU8x50 x3



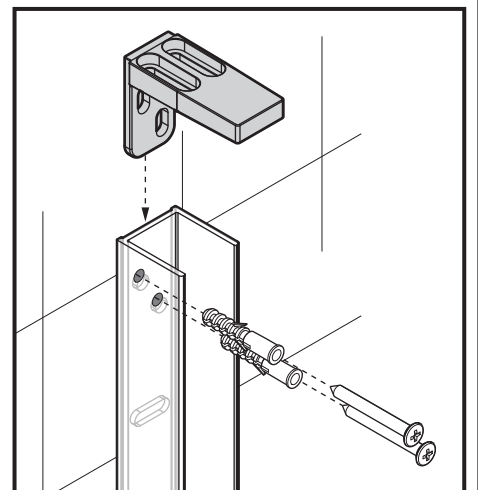
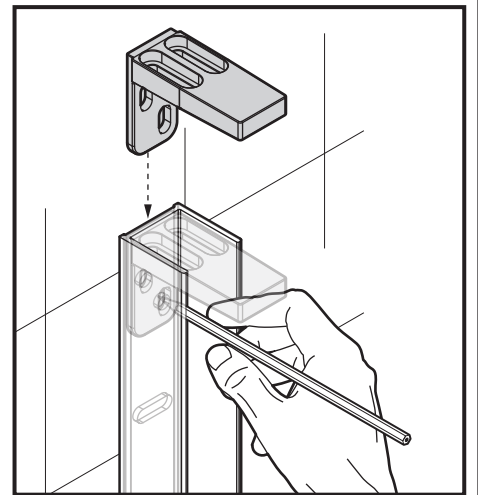
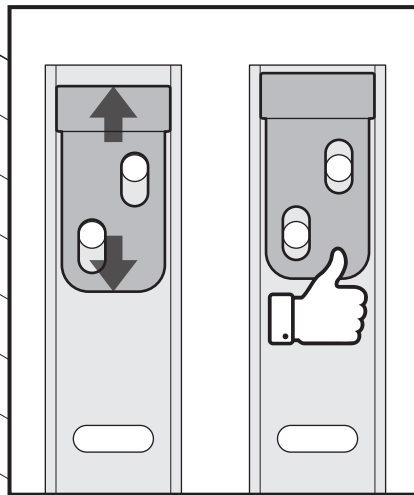
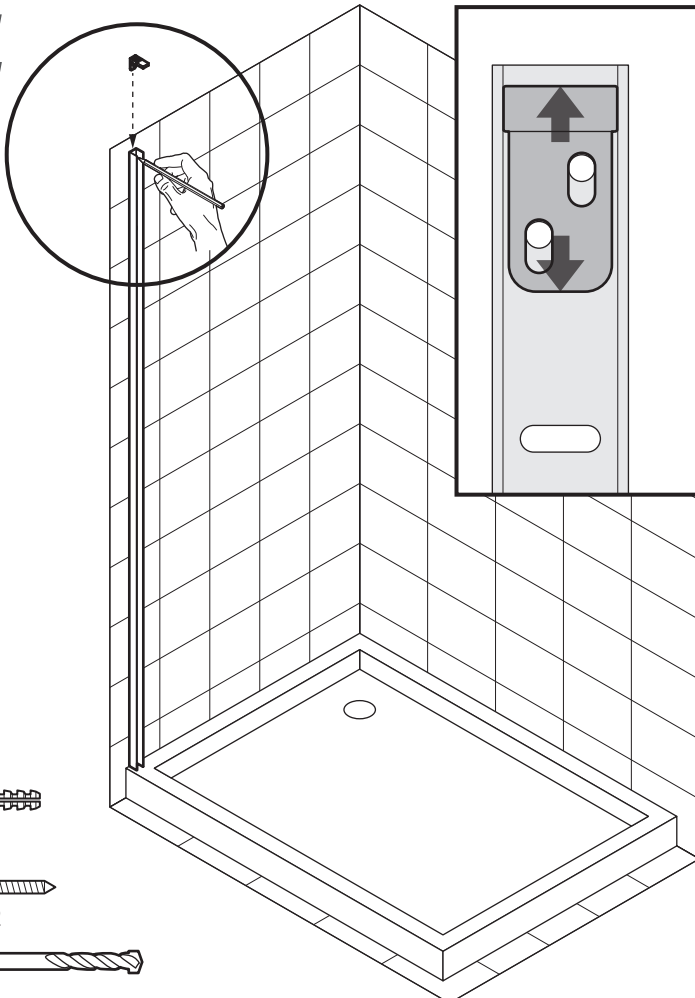
4,5x60 x3



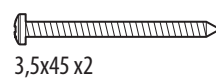
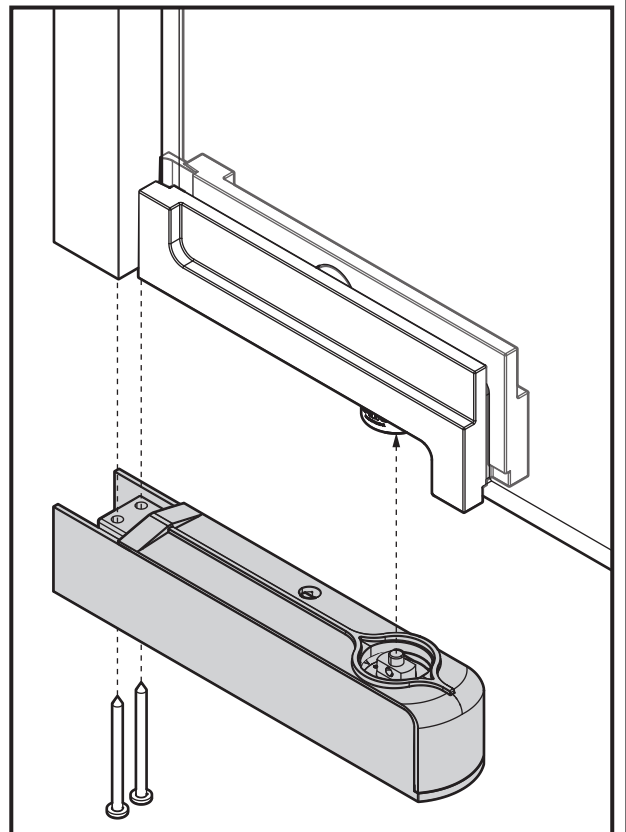
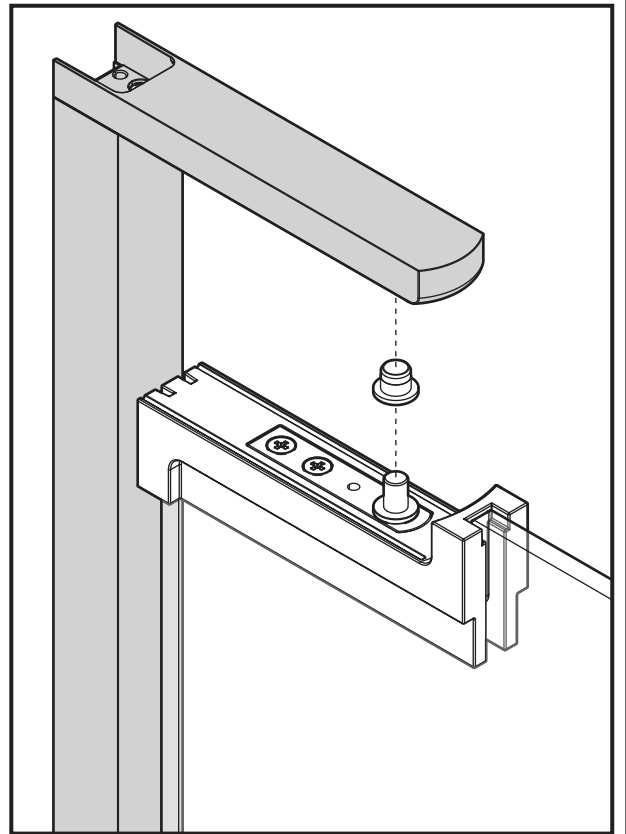
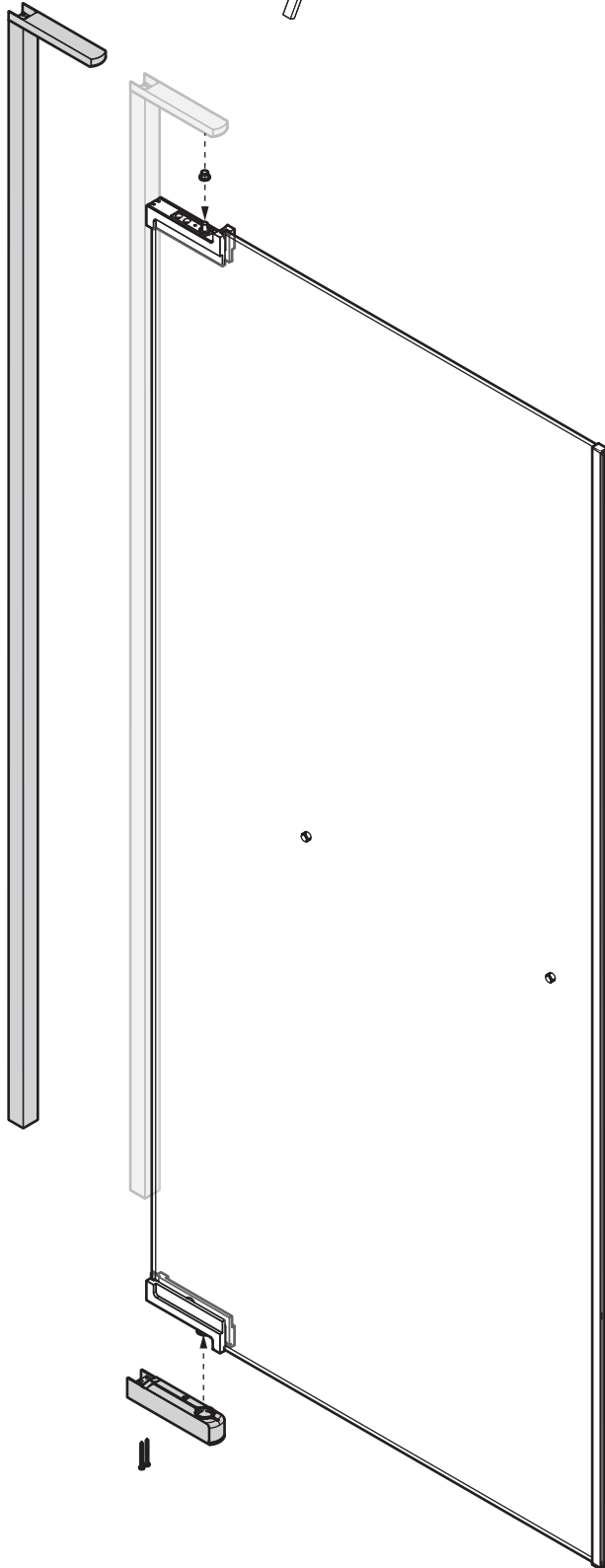
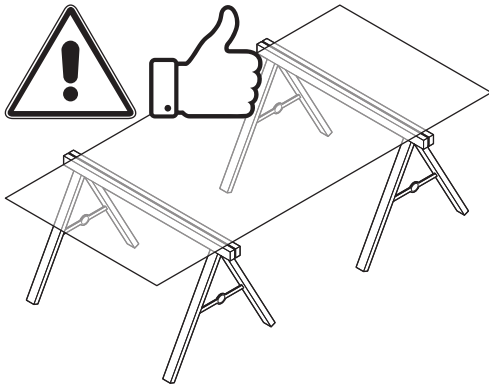
ø8 mm



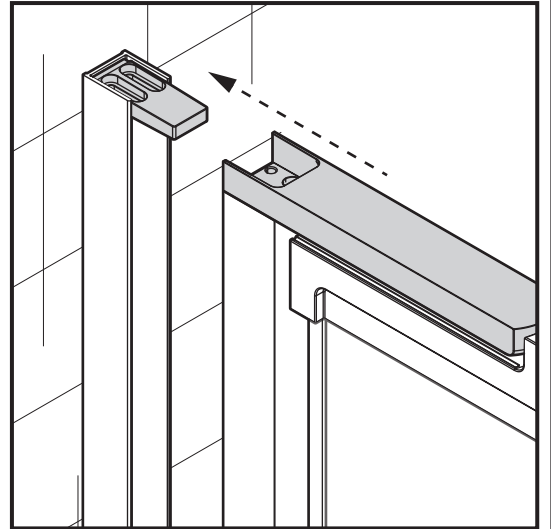
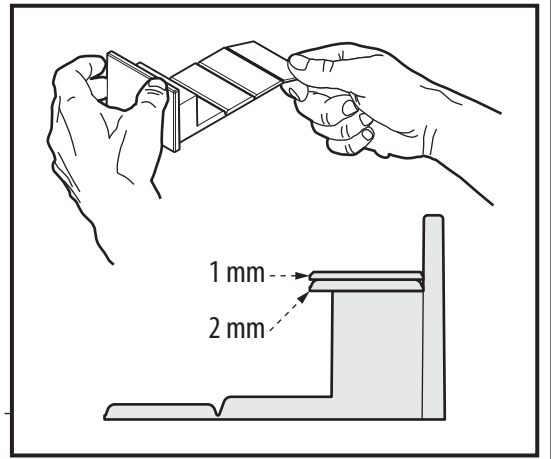
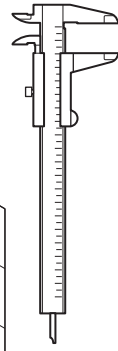
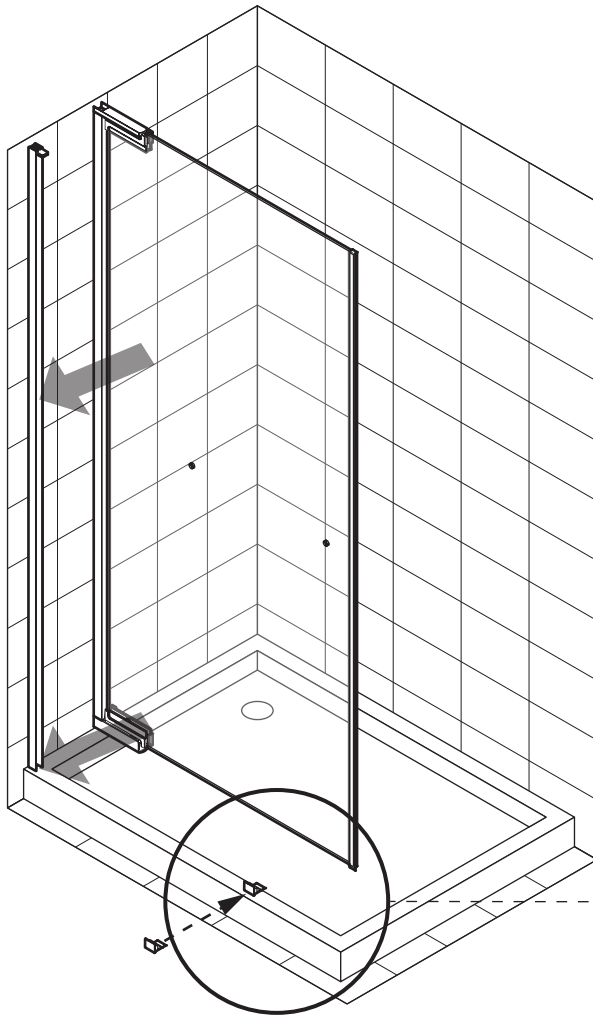
4



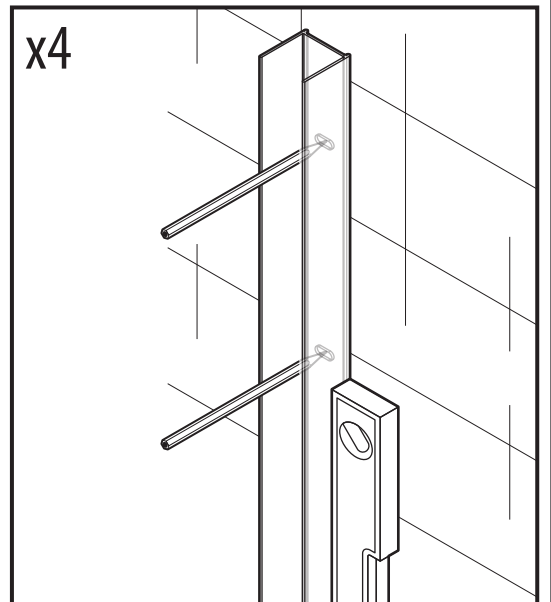
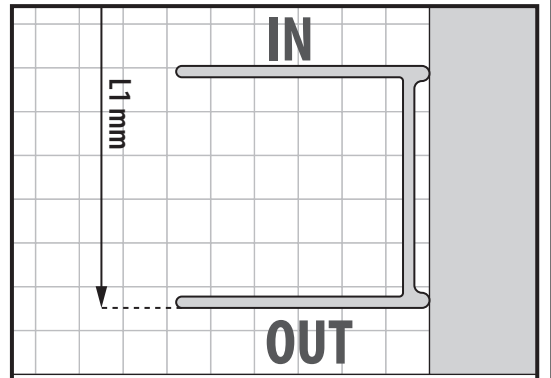
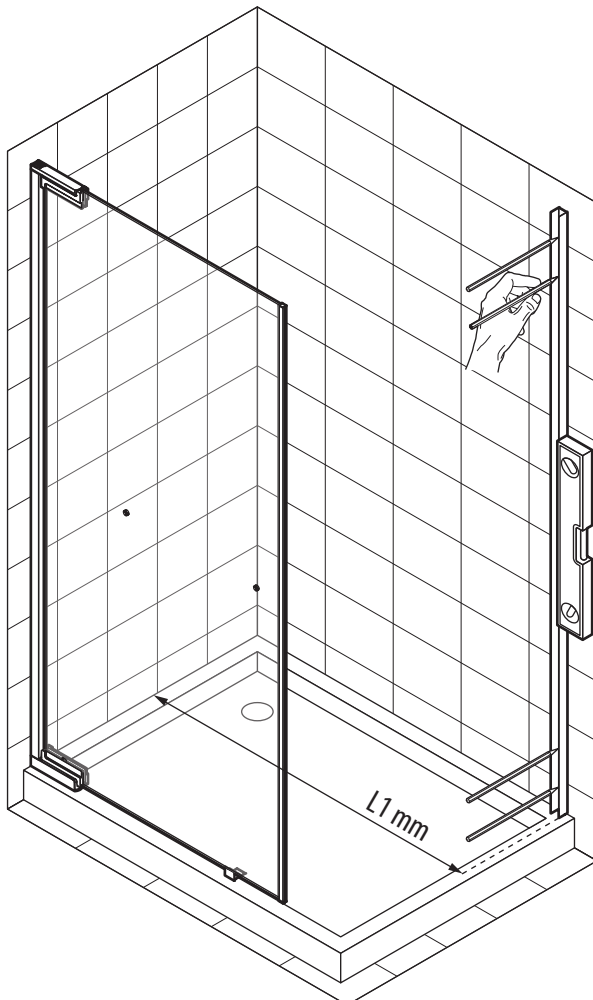
5



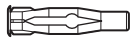
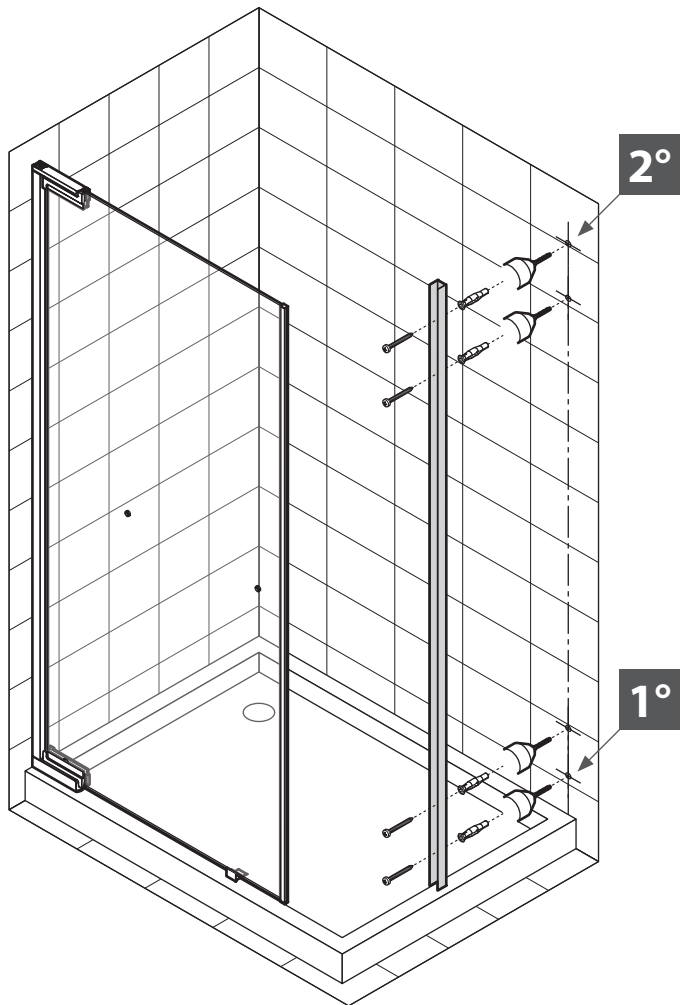
6



7



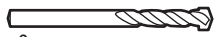
8



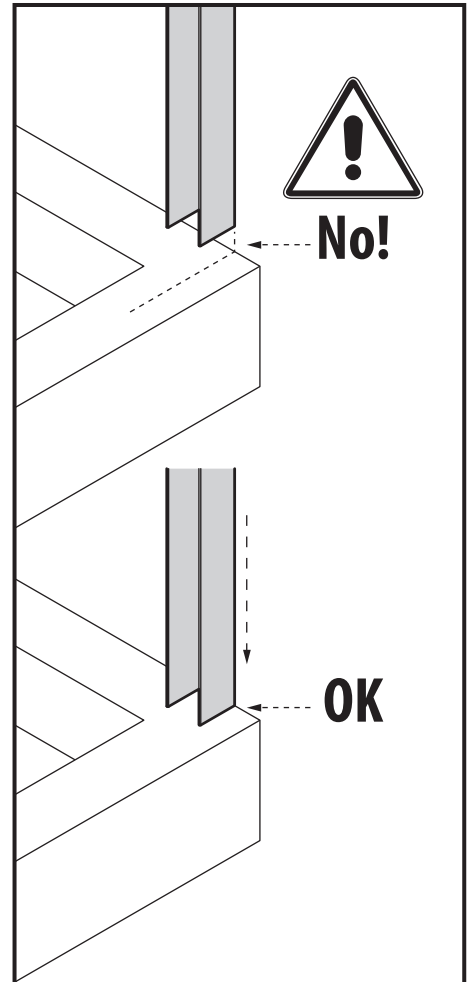
FU8x50 x4



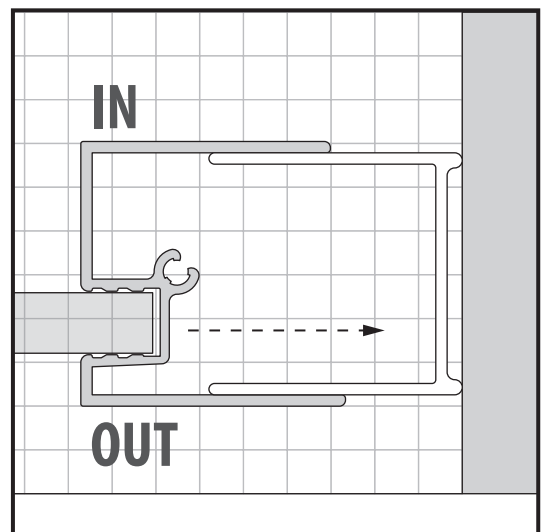
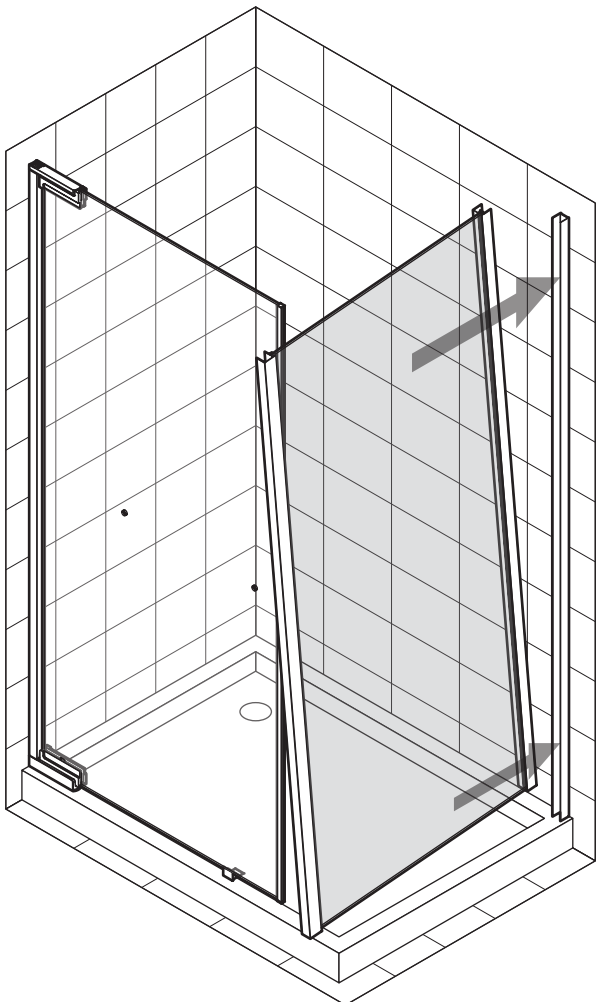
4,5x60 x4



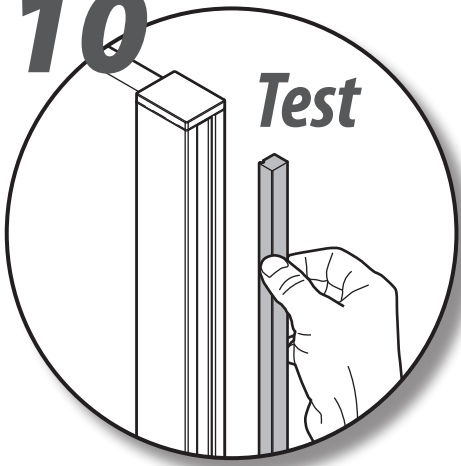
ø8 mm



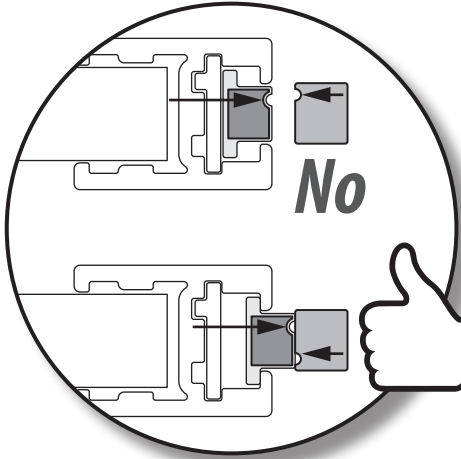
9



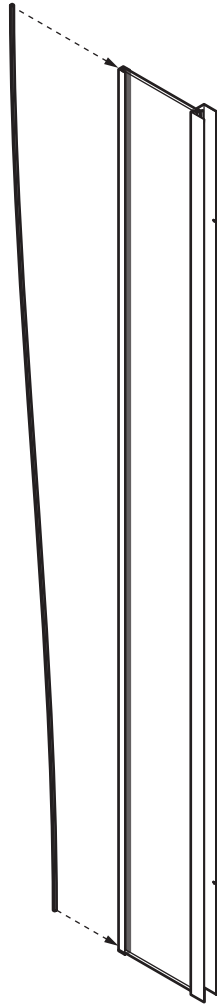
10



Test



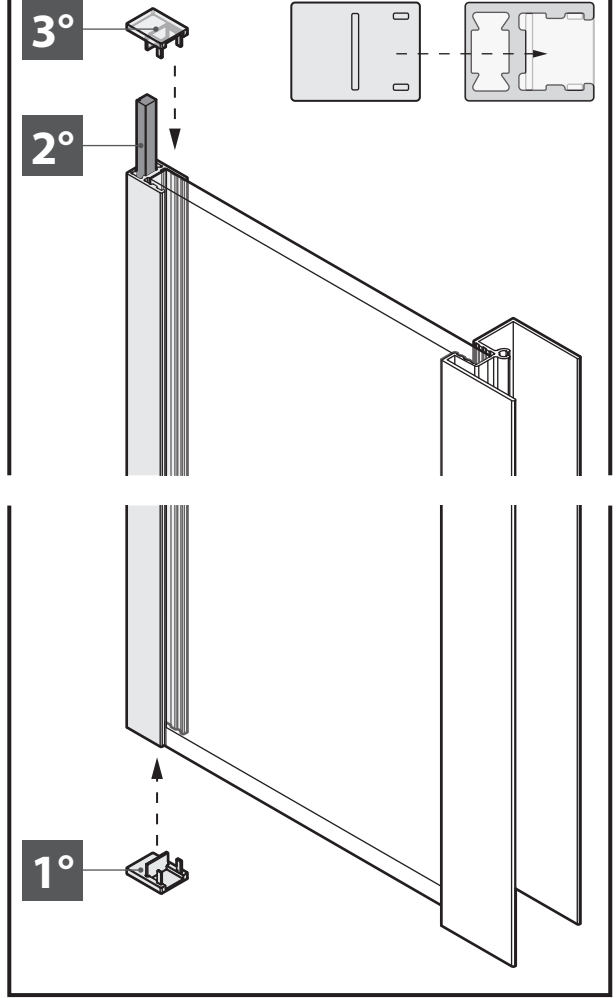
No



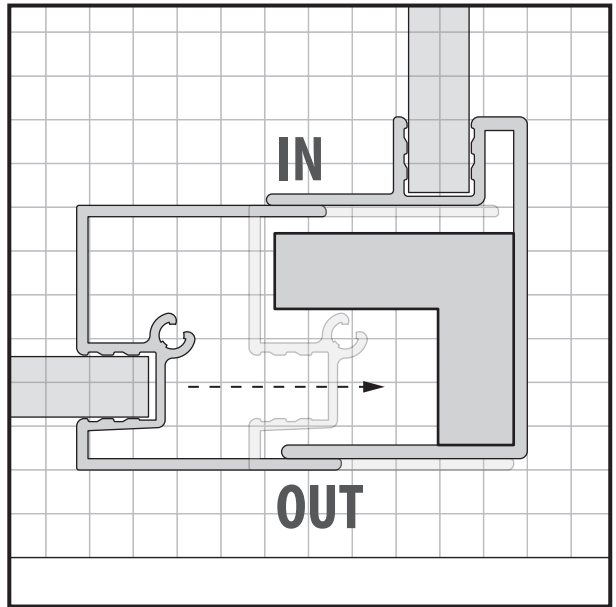
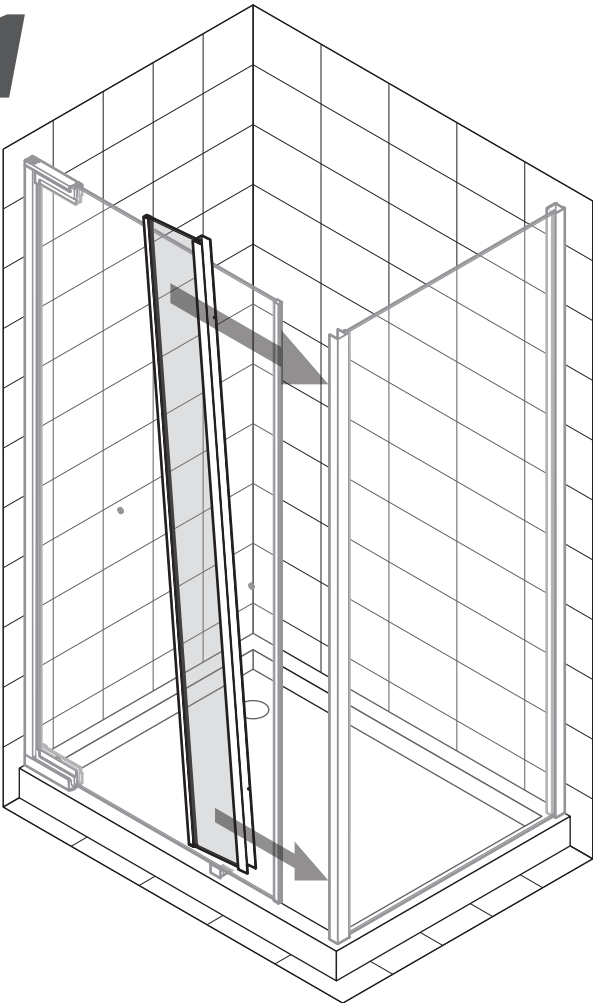
3°

2°

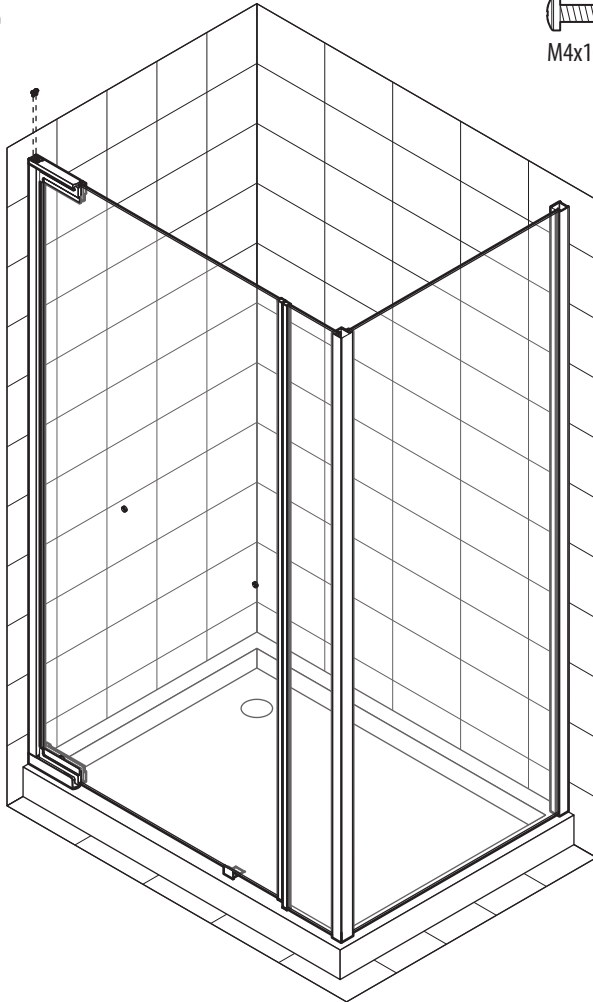
1°



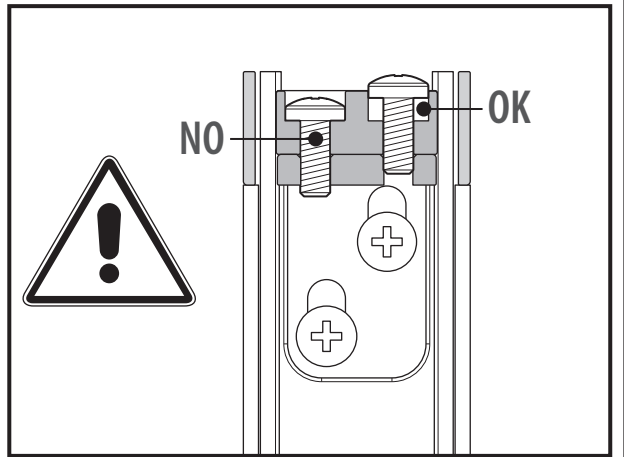
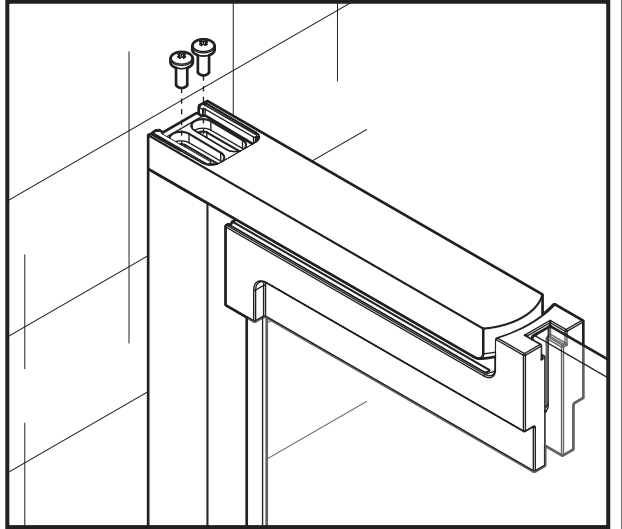
11



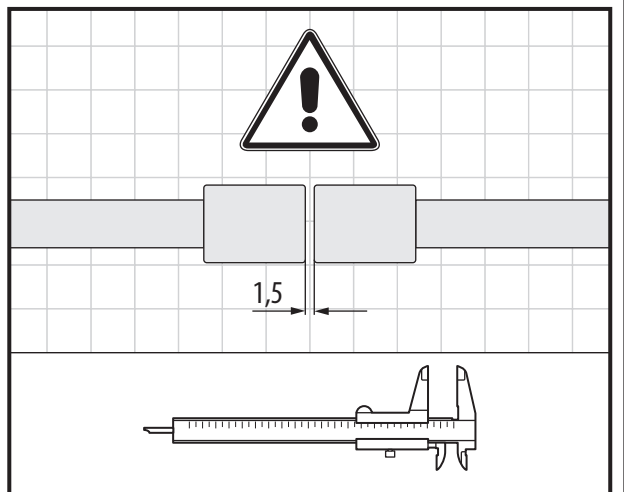
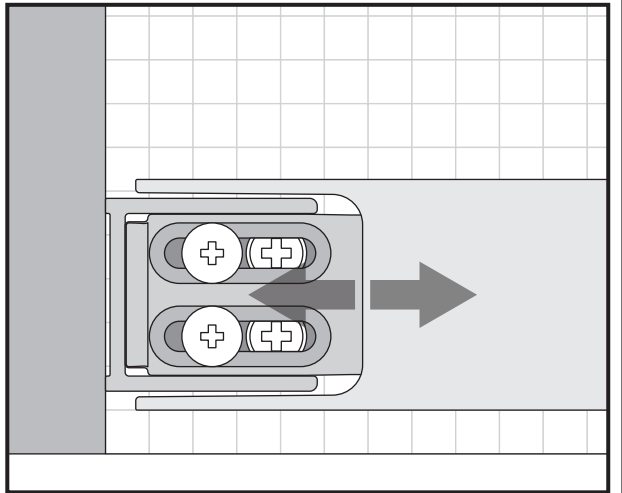
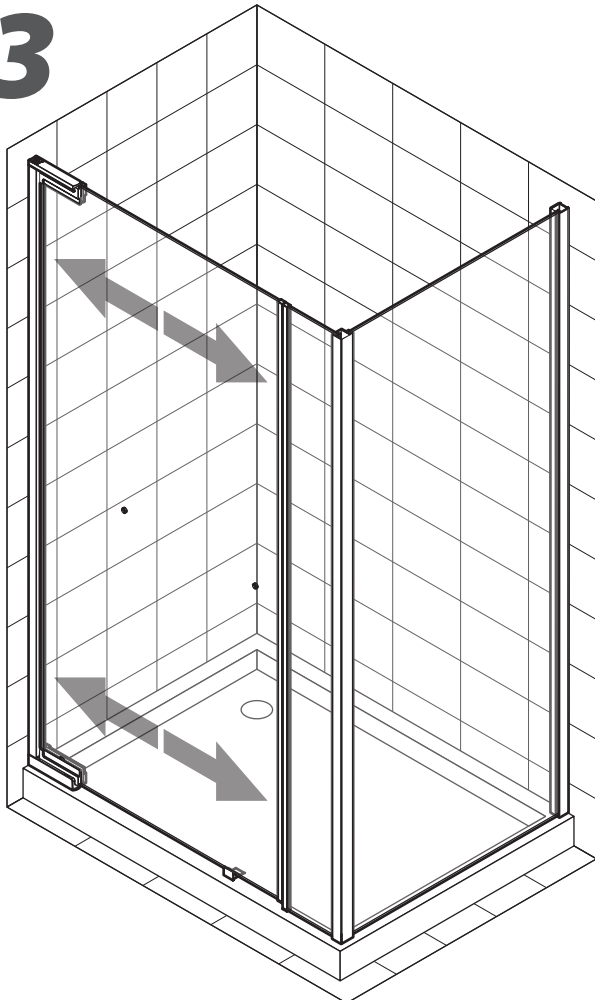
12



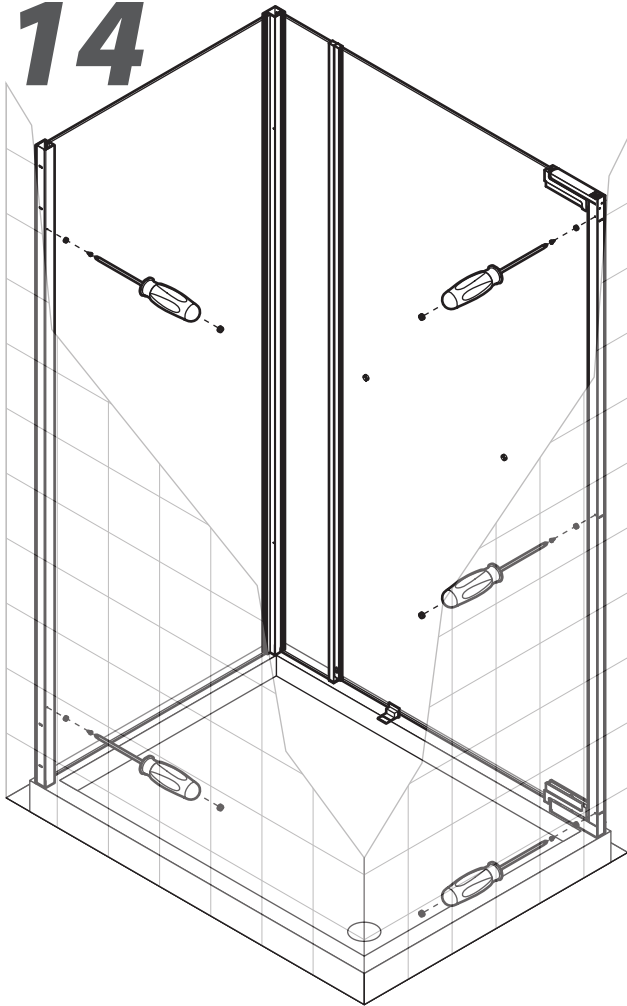

M4x10 x2



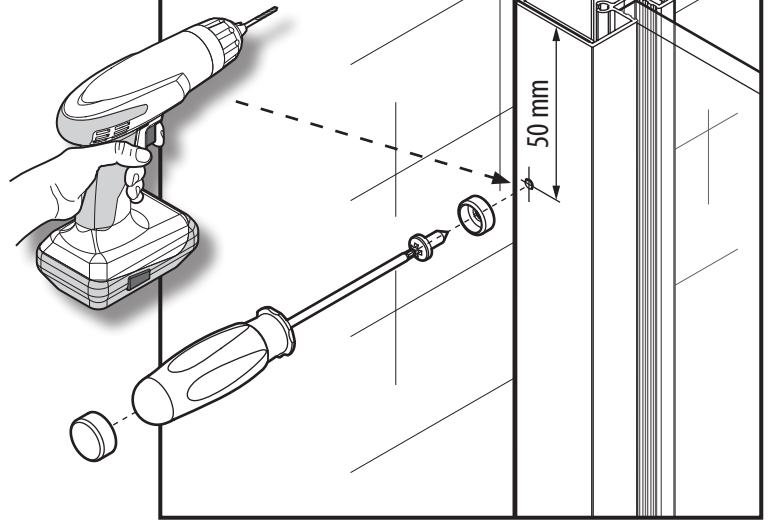
13



14



x5

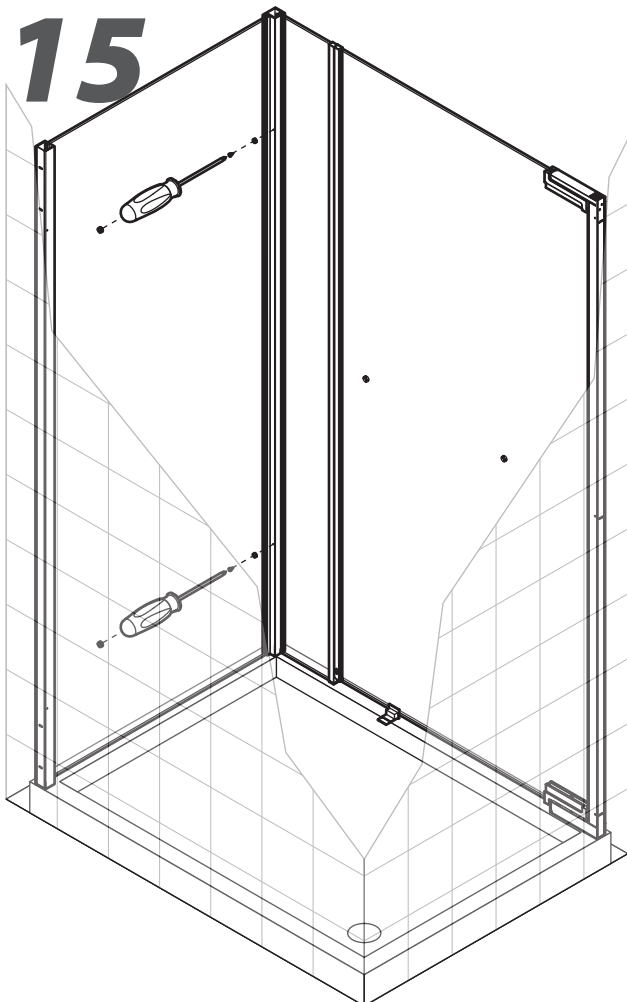


ø3 mm

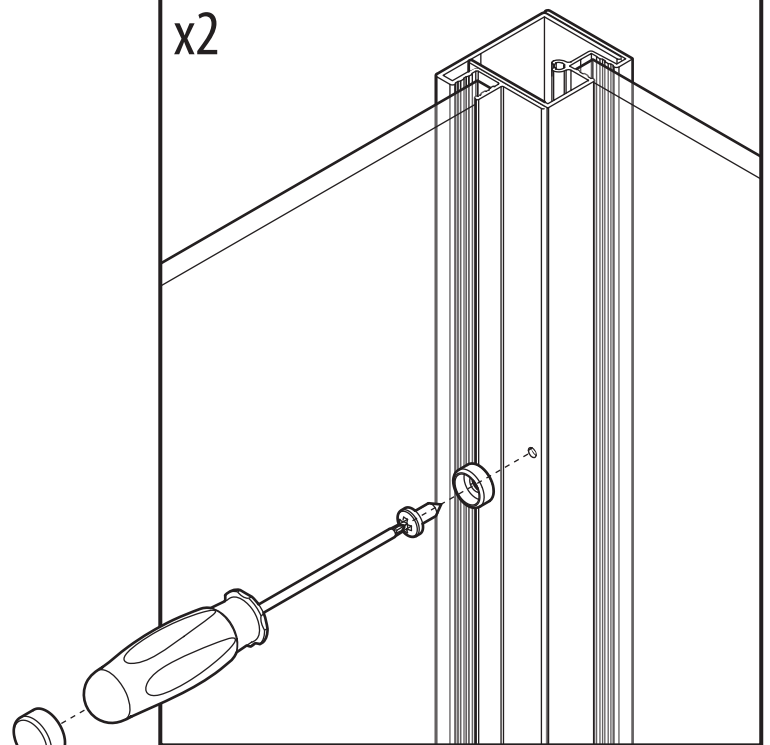


3,5x9,5 x5

15

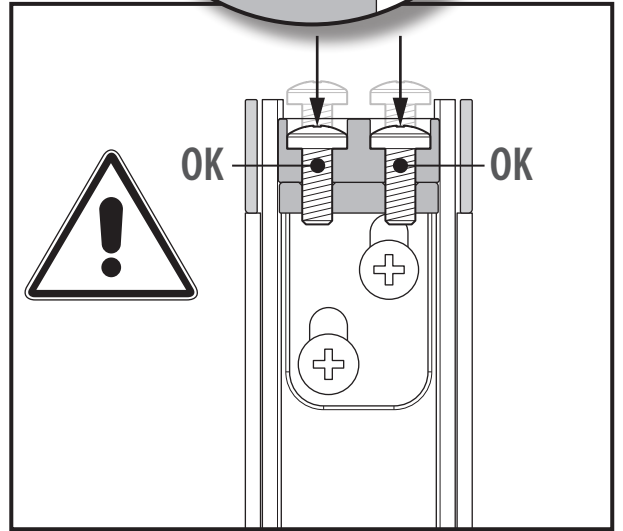
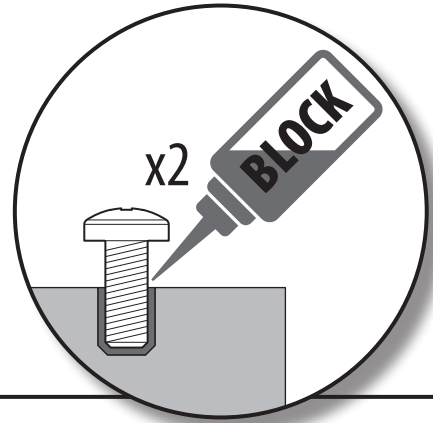
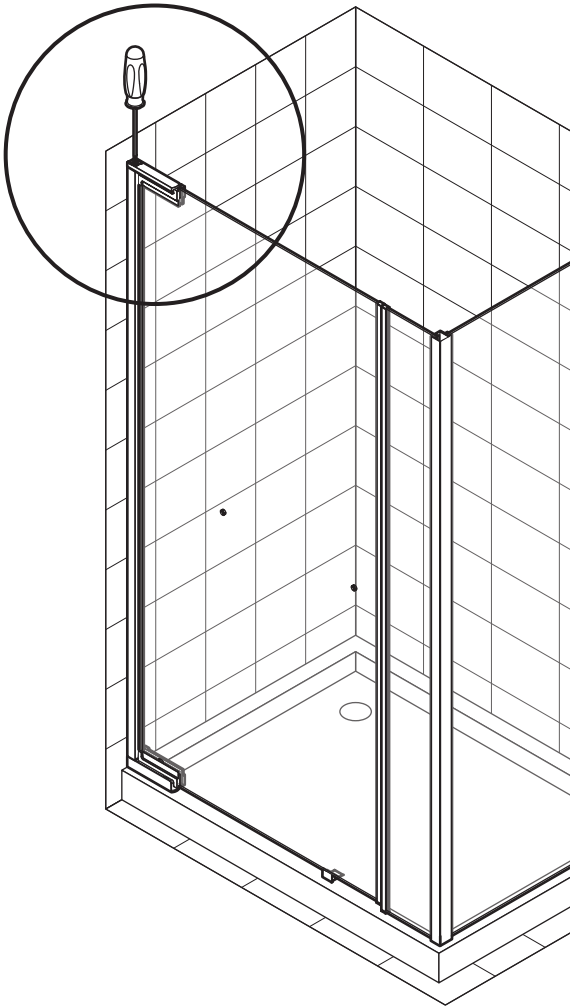


x2

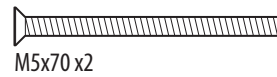
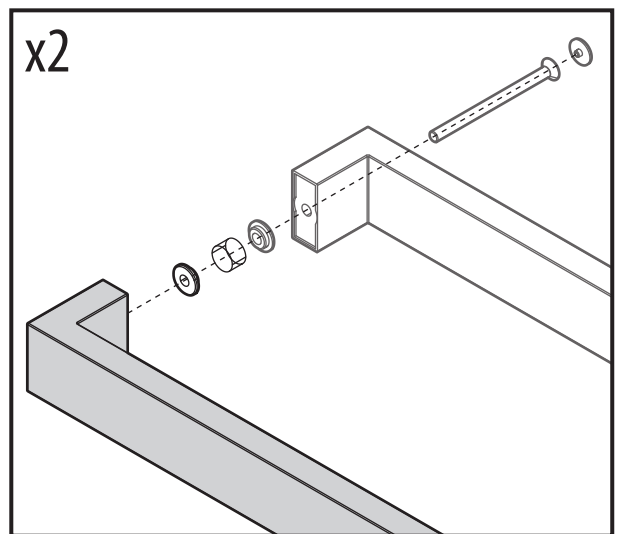
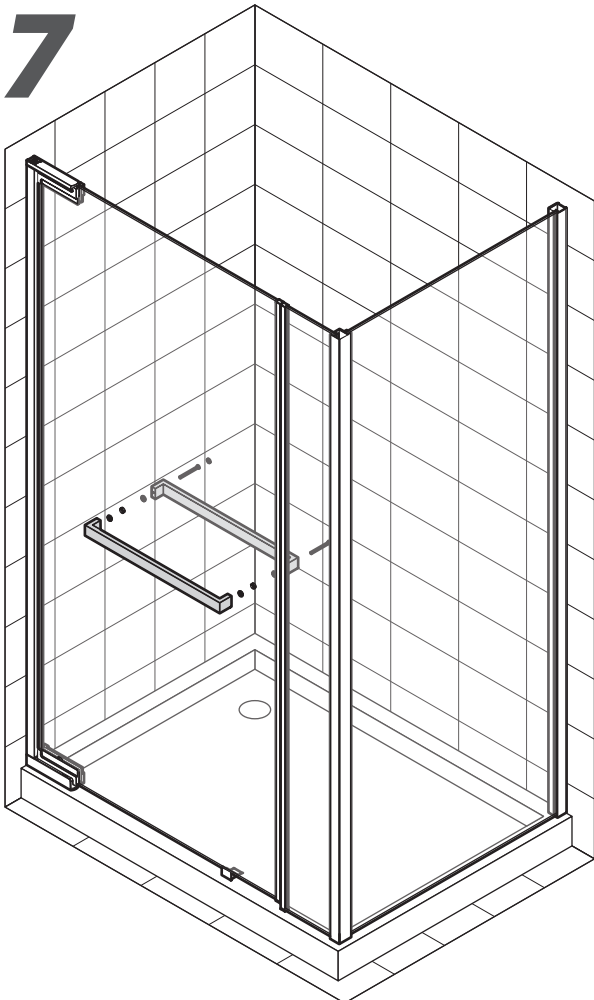


3,5x9,5 x2

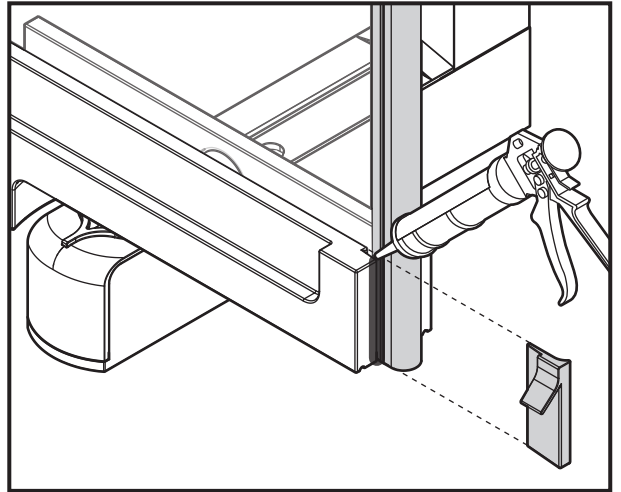
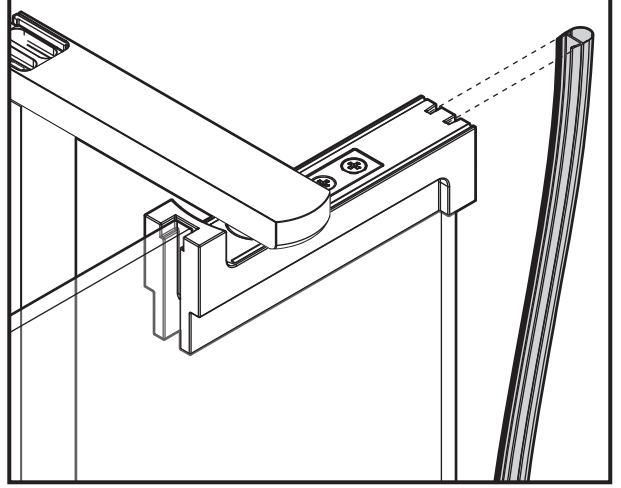
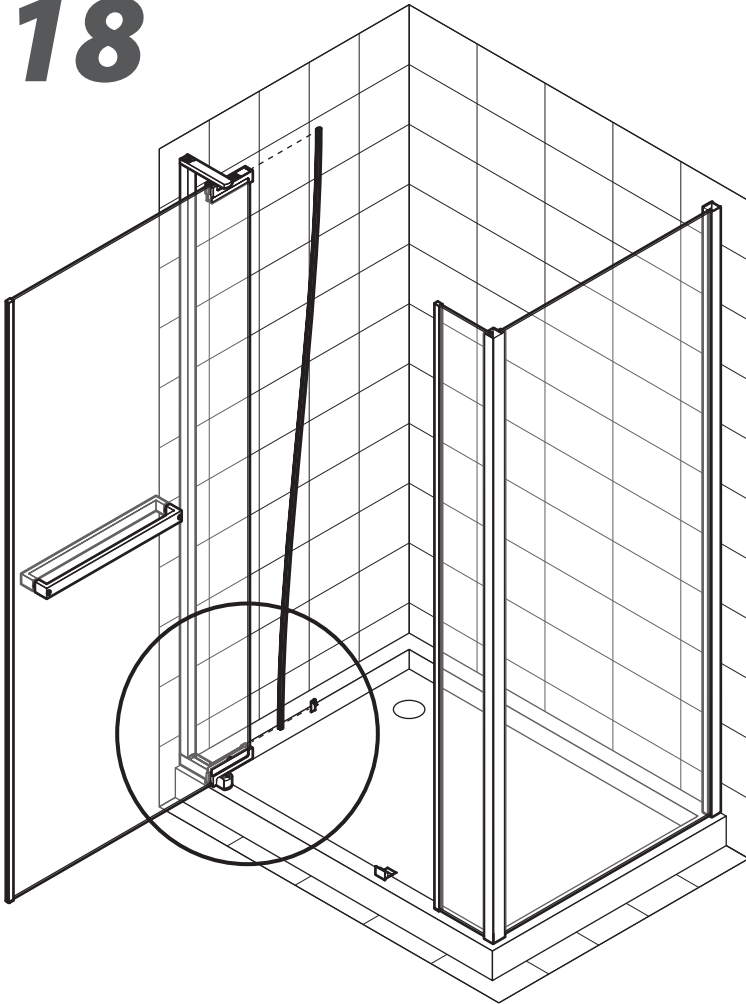
16



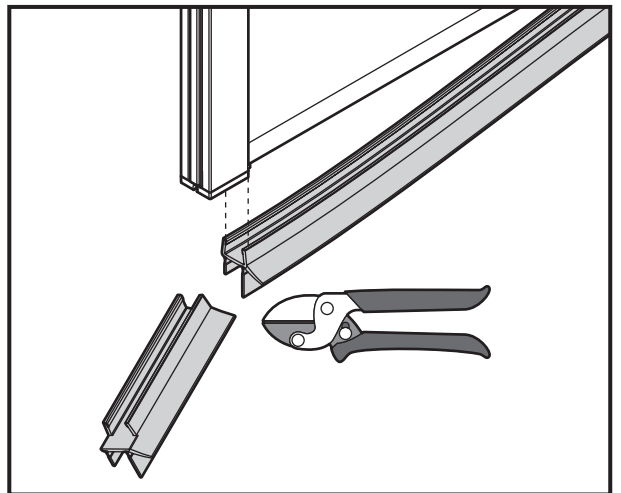
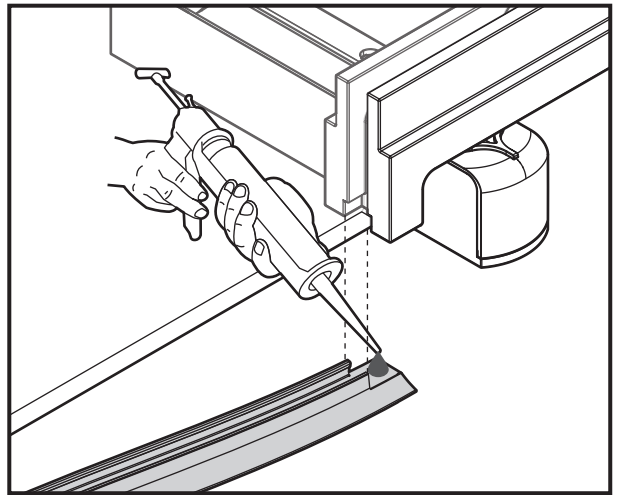
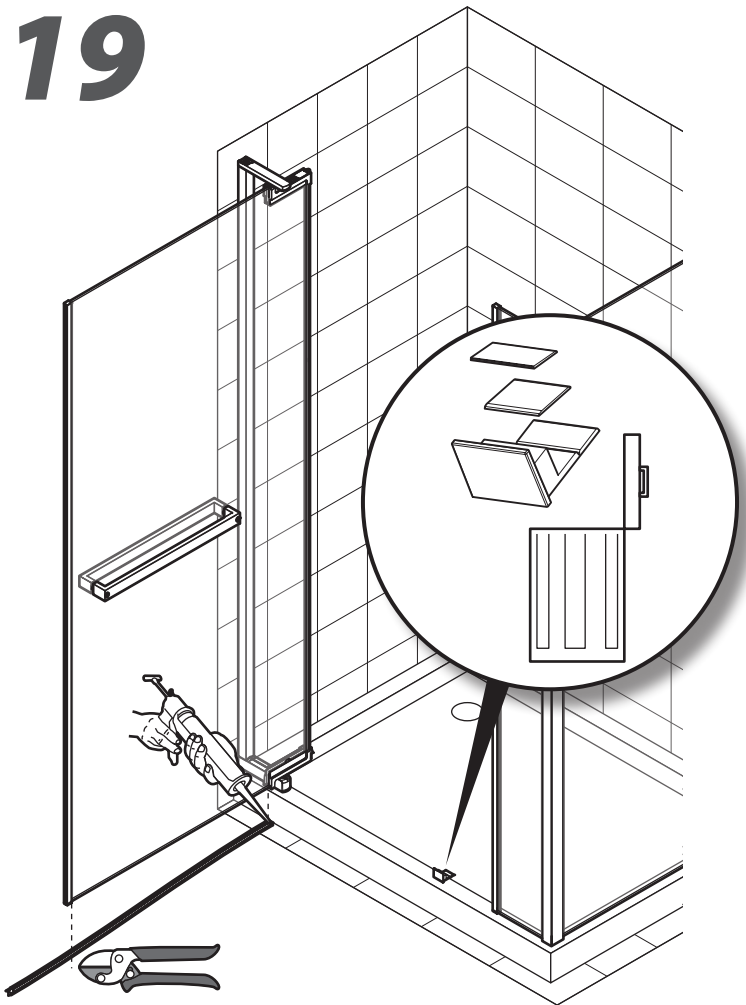
17



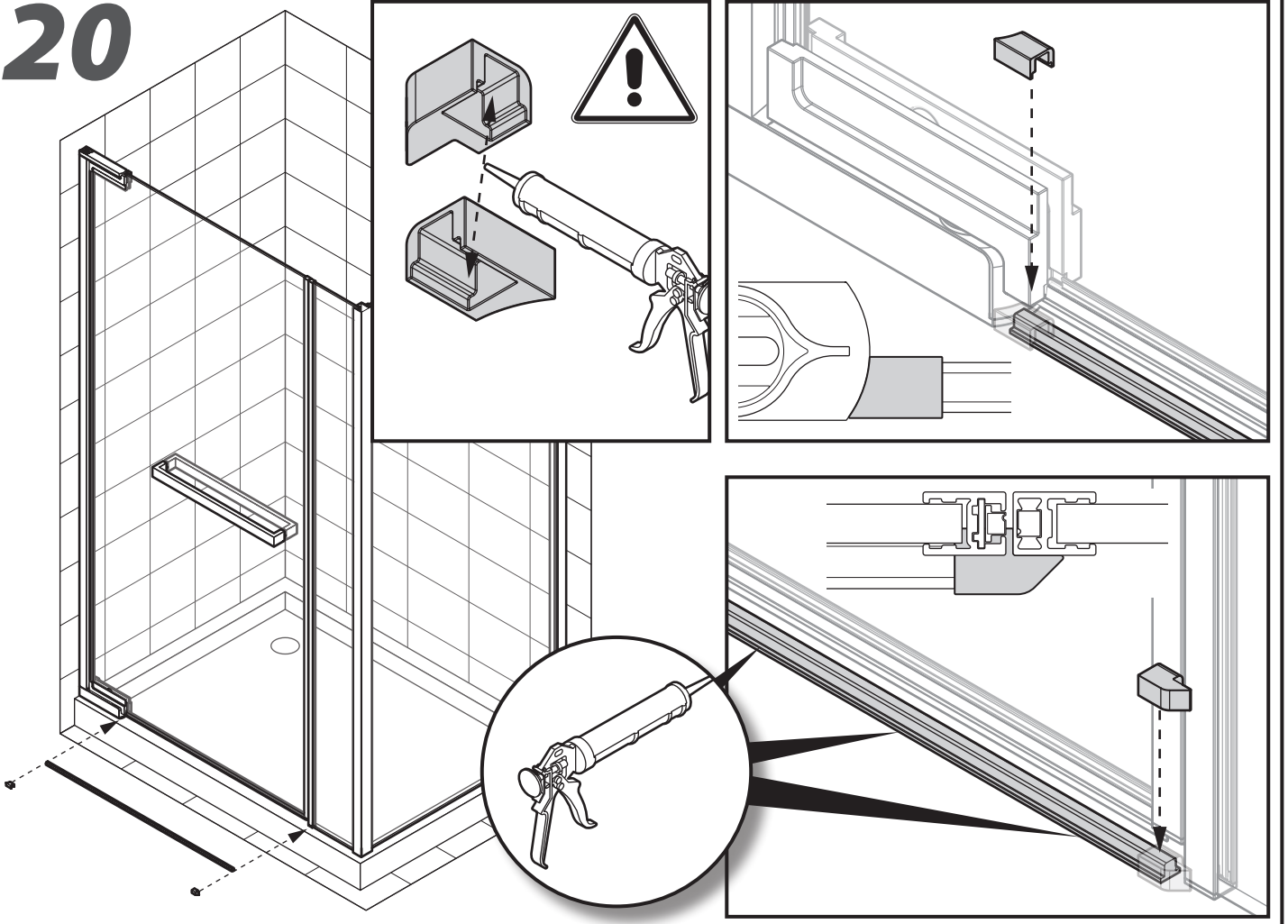
18



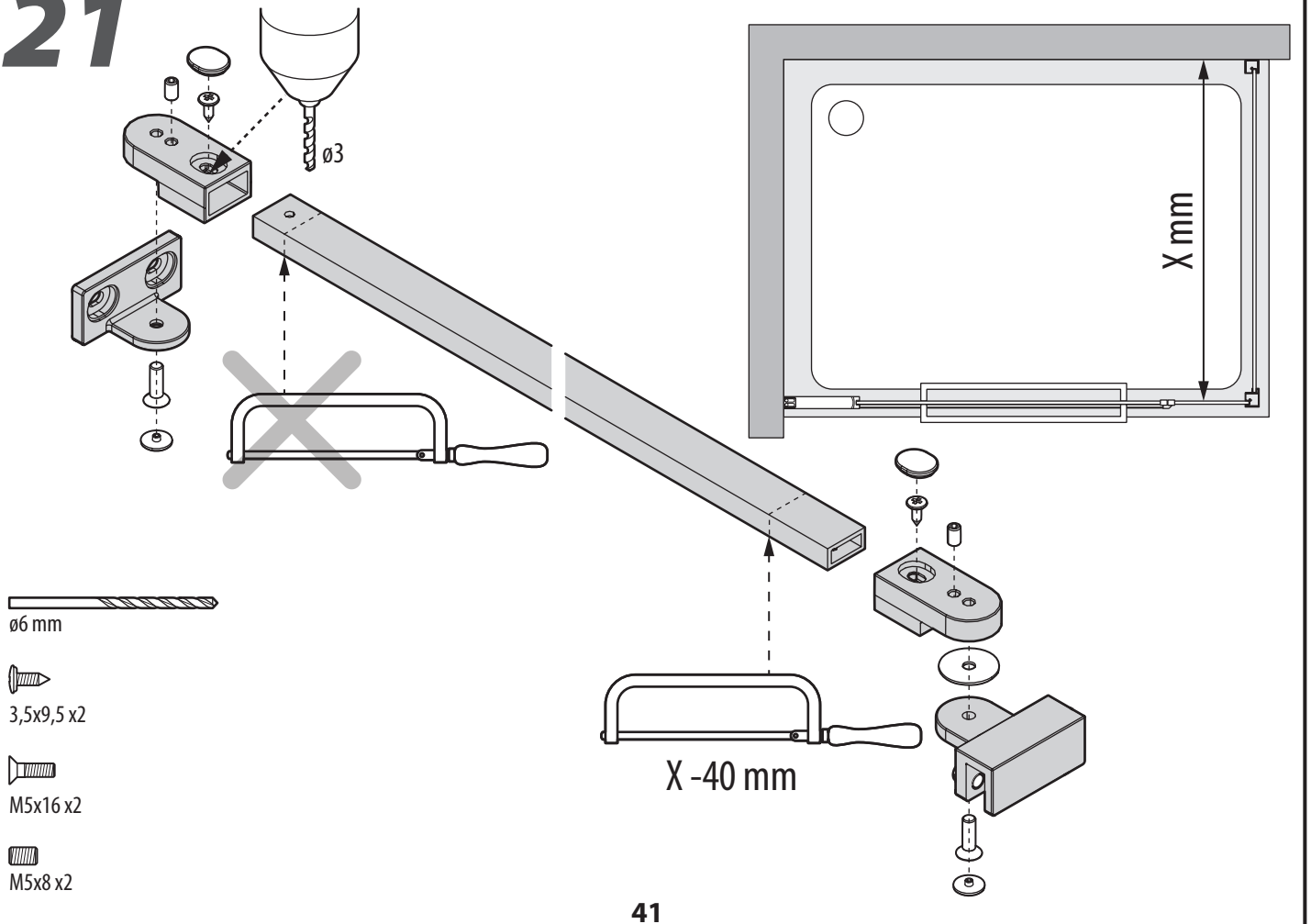
19



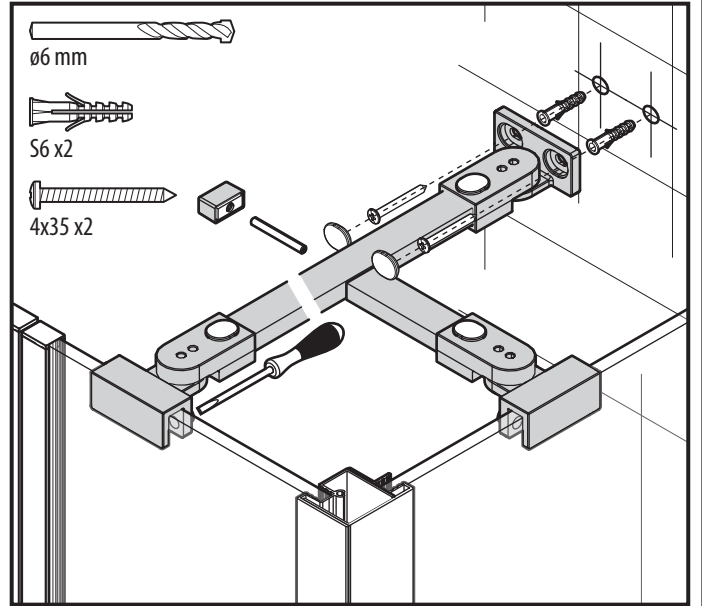
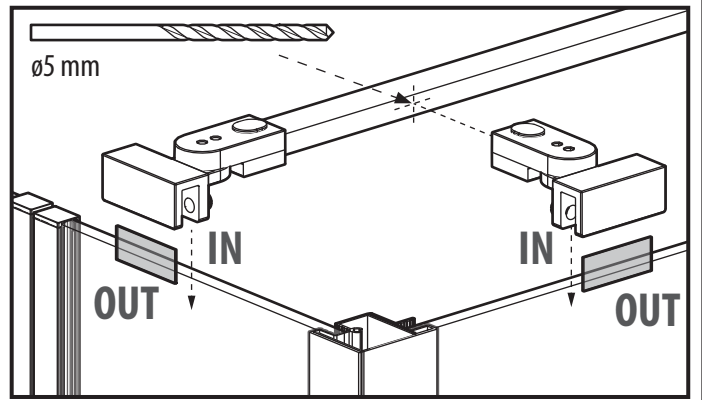
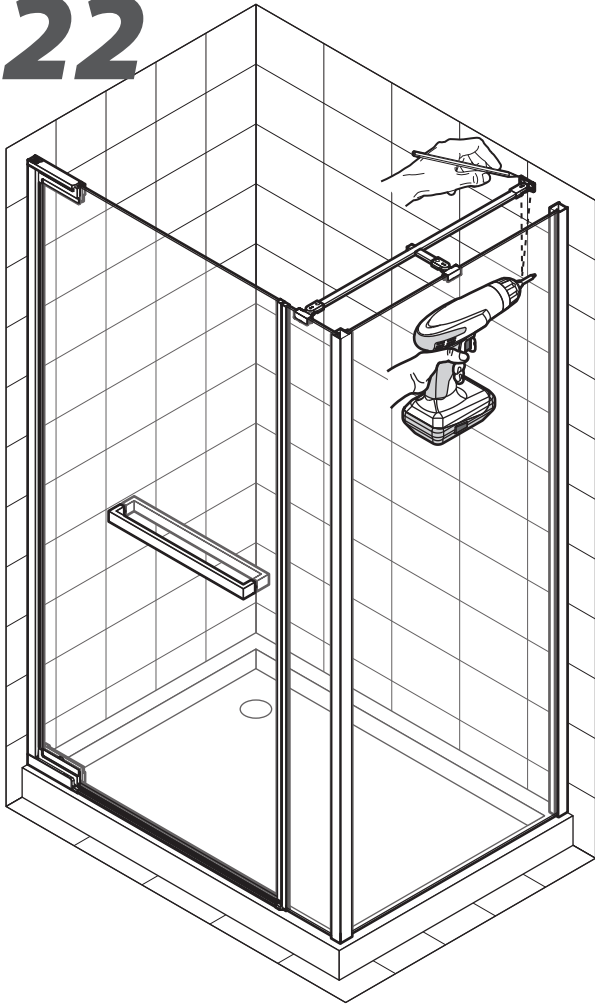
20



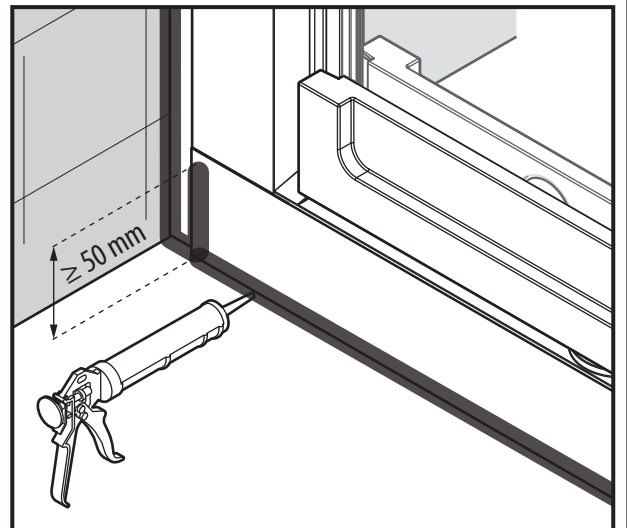
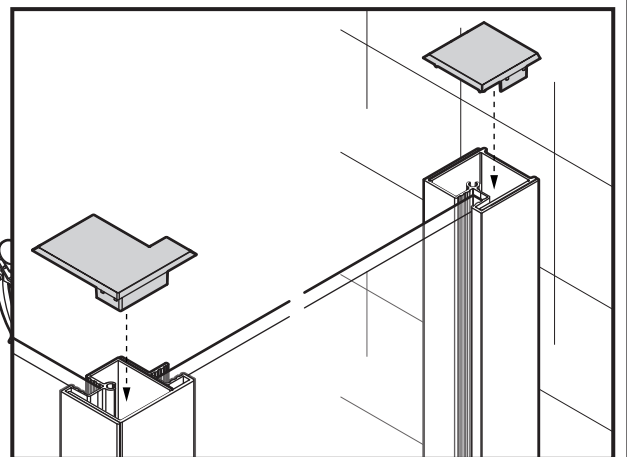
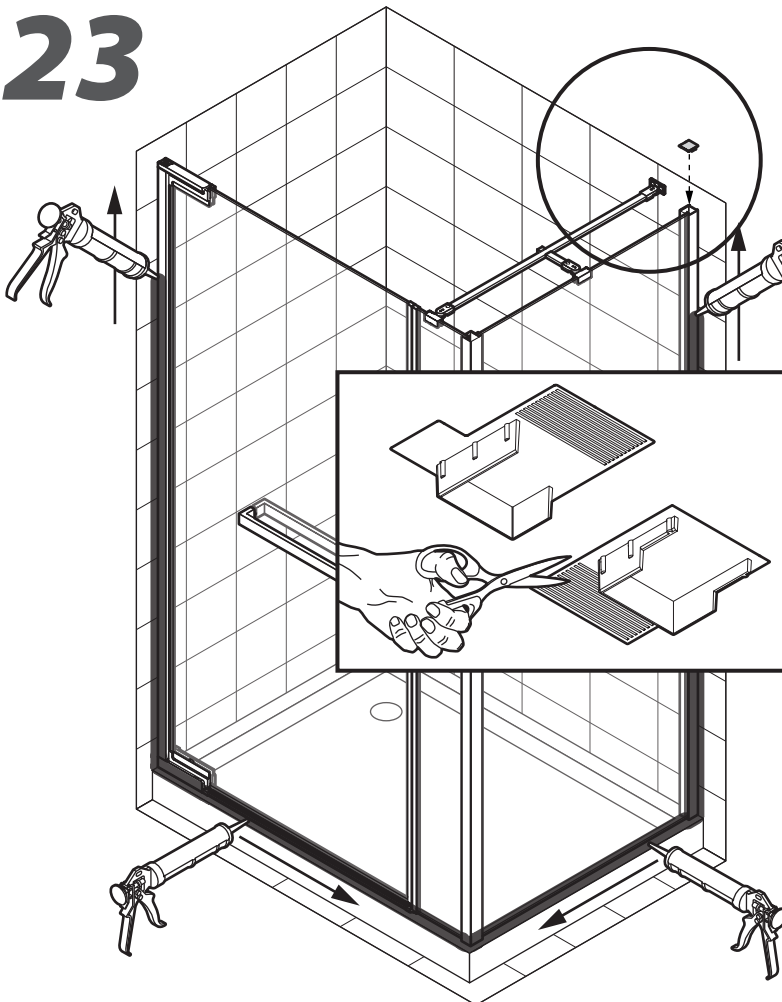
21



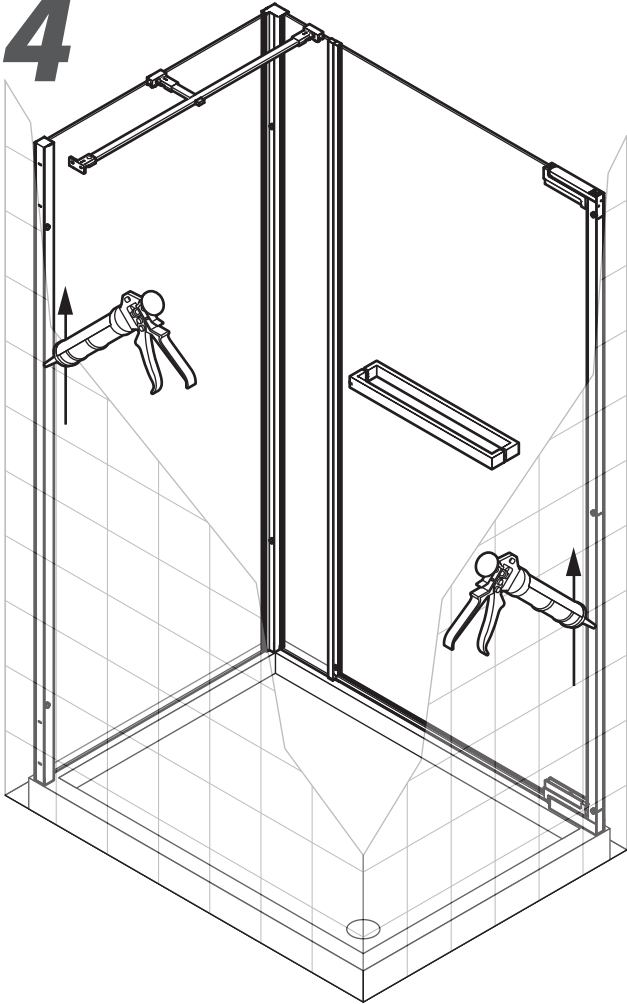
22



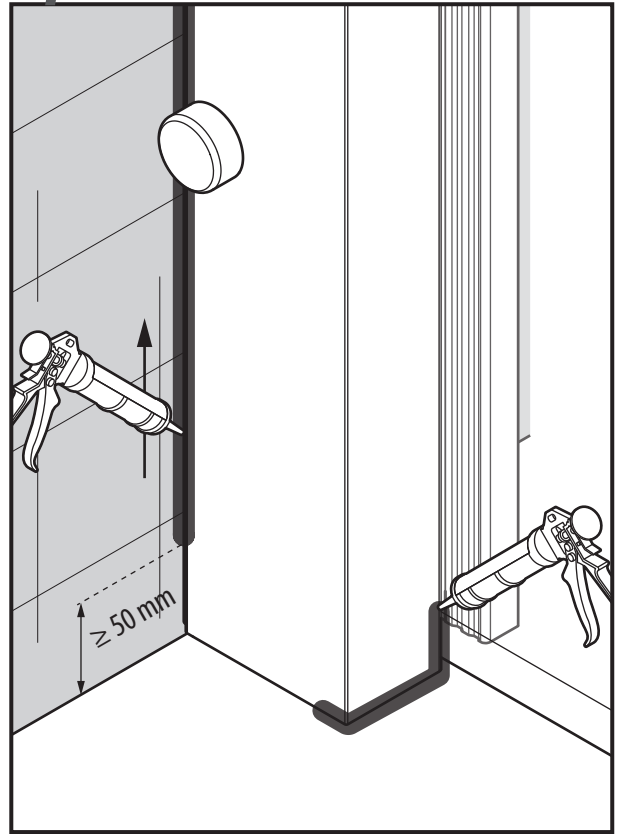
23



24



Optional



25

